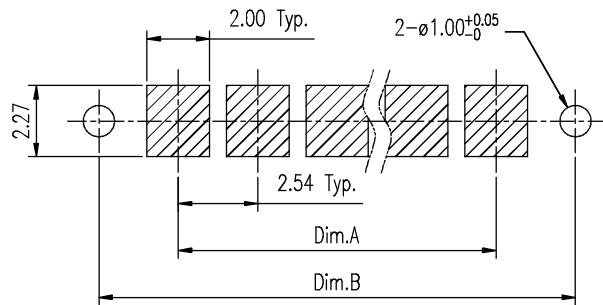
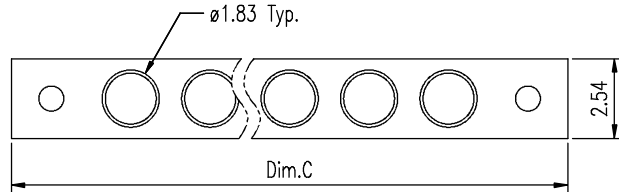
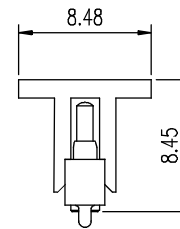
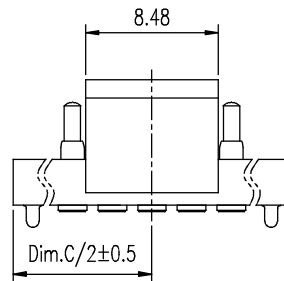


Notes:

- Material:
Housing: Thermoplastic UL 94V-0, Black
Terminal: Copper Alloy
- Finish:
Terminal: 20u" Gold on Contact Area,
50u" Min. Nickel Under-plated Overall
- Mechanical Characteristics:
Spring Force: $0.85N \pm 0.2N$ at Working Height
Life Cycle: 10000 Cycle
- Electrical Characteristics:
Current Rating: 2A
Voltage Rating: 30V
Contact Resistance: 50m ohm Max. (Static State)



Recommended P.C.B. Layout
Layout Tolerance = $\pm 0.05\text{mm}$



Cap Option
Scale 2:1

Dimension Information:

Pin 數	Dim.A	Dim.B	Dim.C
2	2.54	7.62	10.16
3	5.08	10.16	12.70
4	7.62	12.70	15.24
5	10.16	15.24	17.78
6	12.70	17.78	20.32
7	15.24	20.32	22.86
8	17.78	22.86	25.40
9	20.32	25.40	27.94
10	22.86	27.94	30.48
11	25.40	30.48	33.02
12	27.94	33.02	35.56
13	30.48	35.56	38.10
14	33.02	38.10	40.64
15	35.56	40.64	43.18
16	38.10	43.18	45.72

RoHS Compliant



煜倫股份有限公司

www.morethanall.com

DRAWING BY CY

CHECKED BY GENIUS

UNIT / mm SCALE 1 : 1

DATE

SIZE A4

TOLERANCES ARE

X. \pm
 .X ± 0.38
 .XX ± 0.25
 .XXX ± 0.13
 ANG \pm

PJECTION

照片框

ORDER INFORMATION

PGP26-V70P33C-1Xxx-LF

SERIES 180°SMT POST CAP 3.35mm HIGH TOTAL HIGH 7.00mm LEADFREE 02~16 WAY

DESCRIPTION: 2.54mm Pitch Pogo Pin Conn.