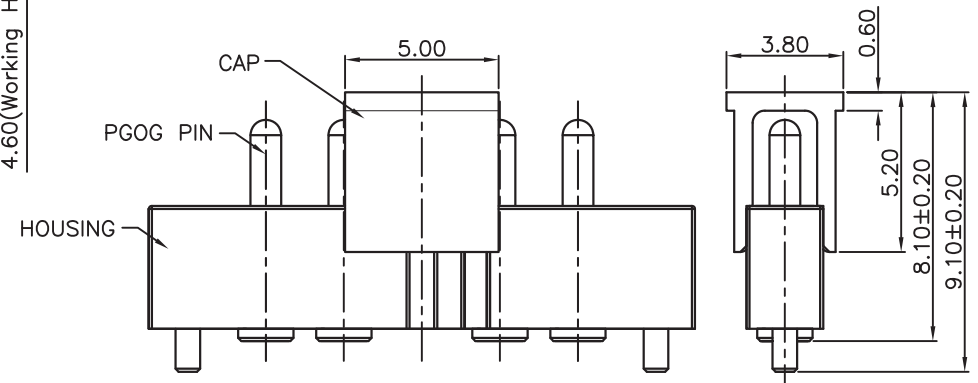


NOTE :

1. Material
 - .Housing : Black HTN (UL94V-0)
 - .Plunger & Barrel : Brass3604
 - .Spring : SUS 304
2. Plating
 - .Contact Surface : 10 μ" minimum Au over 30 μ" minimum Ni
3. Electrical
 - .Rated Current & Voltage : DC 12 V ; 1 A
 - .Contact Resistance : 100m Ω maximum at Working Height. (Quiescence)
4. Mechanical
 - .Unloaded Height : 7.2 mm
 - .Working Height : 4.6 mm
 - .Spring Force : 120g±20% at Working Height
 - .Durability : 10,000 cycles (minimum)
5. To ensure the best usage, please operate it based on the working Height
 - .Based on the Engineering Drawings, shall not exceed the maximum allowed compression.



RoHS Compliant

TOLERANCES ARE

MORETHANALL
PCB CONNECTORS
Cable ASSEMBLIES

DRAWING BY CY

CHECKED BY GENIUS

UNIT / mm

SCALE 1 : 1

DATE

SIZE A4

PJECTION

X ±
.X ± 0.25
.XX ± 0.15
.XXX ± 0.10
ANG ±

照片框

ORDER INFORMATION

PGP26-V46PC-1X05-LF

SERIES

LEADFREE

05 WAY

CAP POST

HIGH 4.6mm

180°SMT

煜倫股份有限公司

www.morethanall.com

DESCRIPTION: Pitch 2.54mm Height 7.20mm 5-Pos Pogo Pin Connector