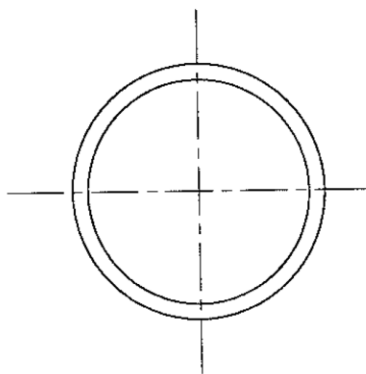
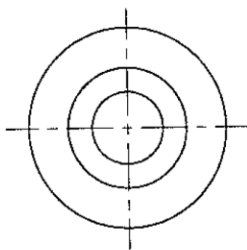


RECOMMENDED PCB LAYOUT



NOTE:

- 1.MATERIAL :
  - 1-1 PIN : COPPER ALLOY
  - 1-2 TUBE : COPPER ALLOY
  - 1-3 SPRING : SWP-B, PIANO WIRE OR EQUIVALENT
- 2.FINISH :
  - PIN :OVERALL 10u" MIN. GOLD OVER 50u"~90u"NICKEL
  - SOLDER PAD & SPRING : OVERALL 4u" MIN. GOLD OVER 50u"~90u" NICKEL
- 3.MECHANICAL SPECIFICATION :
  - 3-1 SPRING FORCE : 80±20g @ 0.5mm DEFLECTION
  - 3-2 DURABILITY : 10,000 cycles
  - 3-3 FULL STROKE: 0.7mm
- 4.ELECTRICAL SPECIFICATION :
  - 4-1 RATING VOLTAGE : 12V DC
  - 4-2 RATING CURRENT : 1.0A MAX
  - 4-3 CONTACT RESISTANCE : 30 mohms MAX @ 0.5 mm DEFLEION

RoHS Compliant

TOLERANCES ARE

**MORETHANALL**  
PCB CONNECTORS  
Cable ASSEMBLIES

煜倫股份有限公司

www.morethanall.com

DRAWING BY CY

CHECKED BY GENIUS

UNIT / mm

SCALE 1 : 1

DATE

SIZE A4

X, ±  
.X ±  
.XX ±  
.XXX ±  
ANG ±

PPOJECTION

照片框

ORDER INFORMATION

PGP-VC-094338-LF  
SERIES | LEADFREE  
3.8mm WORKING HIGH  
4.3mm TOTAL HIGH  
0.9mm DIA  
CAP  
180°SMT

DESCRIPTION: