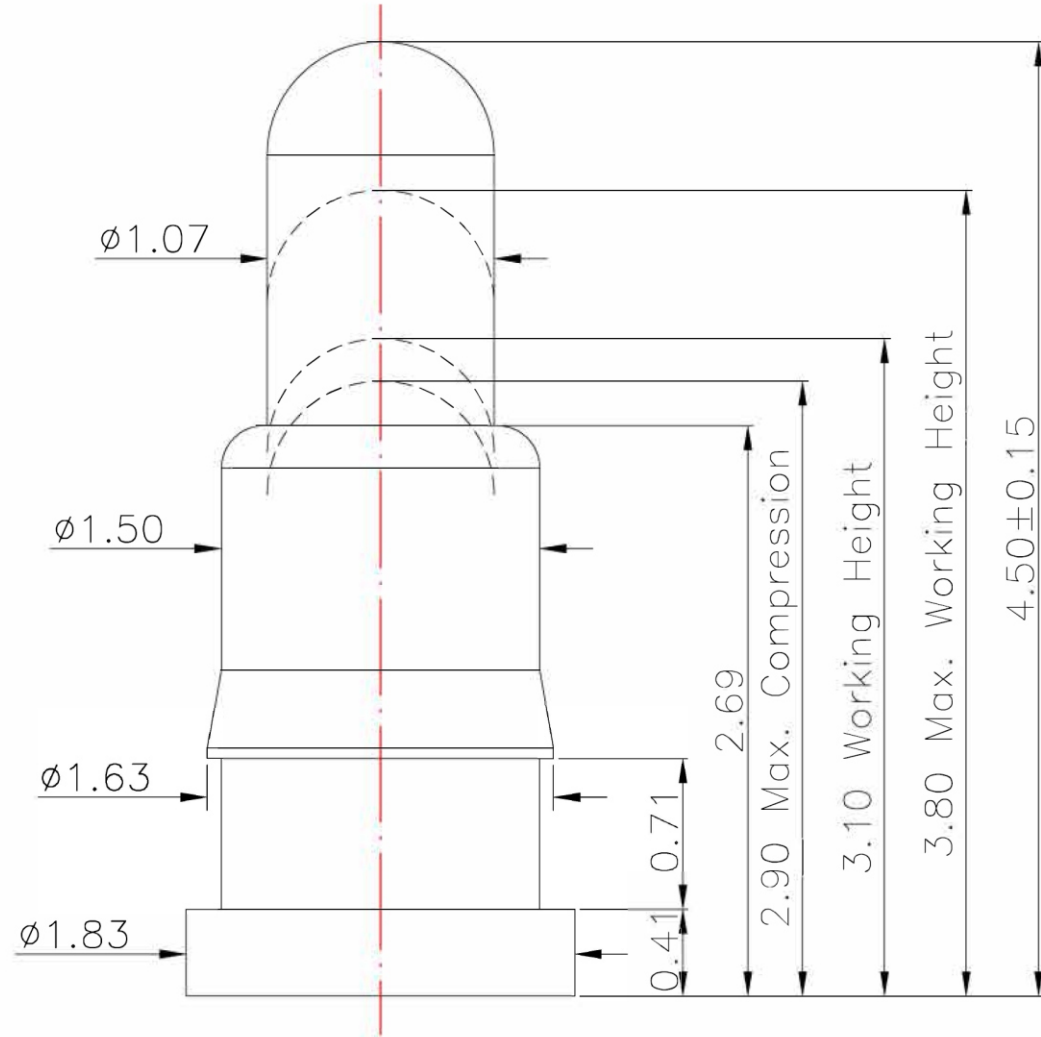


NOTES:

1. Electrical
 - .Rated Current & Voltage : DC 12 V ; 3A
 - .Contact Resistance: 100 mohm maximum at Working Height(Quiescence)
 - .Insulation Resistance: 500MQ Min. at 500VDC/Minute
 - .Dielectric Withstanding Voltage: At 500VAC/Minute No Breakdown
2. Mechanical
 - .Spring Force : 100gf±20gf at Working Height
 - .Durability:10,000 cycles(minimum)
 - .Contact Retention Force:300gf/PIN Min.
3. Environmental
 - .Operating Temperature: -25°C~+85°C
 - .Humidity Range: 10%RH~90%RH
 - .Salt Spray: 48 Hours
4. Part To Be Free Form Manufacturing Lubricants.
5. When the current is greater than 1A then need to increase the time delay circuit(3 second)
6. To avoid arcing issue, The adaptor start to power supply after connector mated fully.
7. To ensure the best usage,please operate it based on the working height.
8. RoHs&HF compliant product.
9. SMT Temperature: 265°C±5', 2±0.5S
Soldering Temperature: 280°C±5', 10±1S



RoHS Compliant

TOLERANCES ARE

MORETHANALL
PCB CONNECTORS
Cable ASSEMBLIES

DRAWING BY CY

X.±

CHECKED BY GENIUS

.X±

UNIT / mm

SCALE 1 : 1

.XX±

DATE

.XXX±

ANG±

SIZE A4

PPOJECTION



ORDER INFORMATION

PGP-V-104531-LF
SERIES | LEADFREE
3.1mm WORKING HIGH
4.5mm TOTAL HIGH
1.07mmDIA
180°SMT

煜倫股份有限公司

www.morethanall.com

DESCRIPTION: