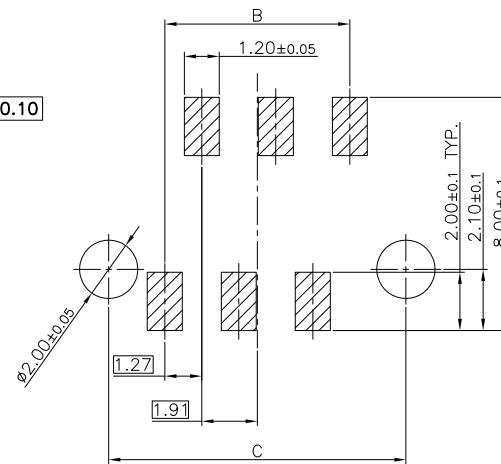
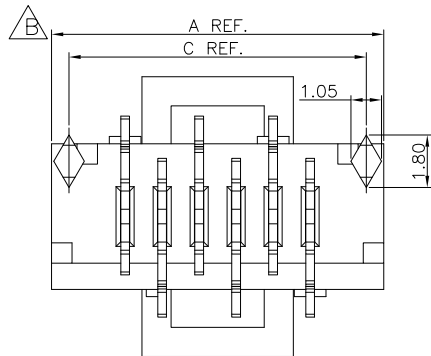
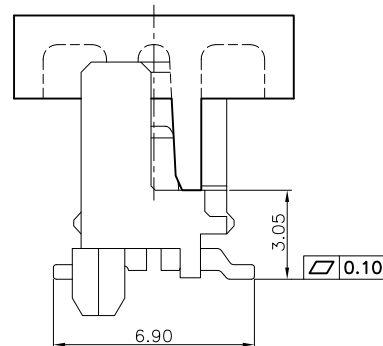
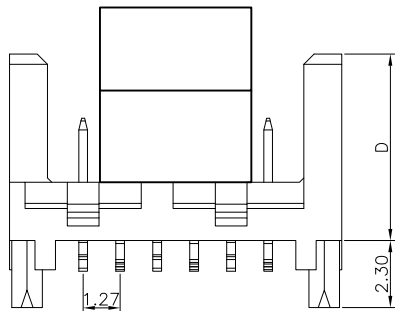
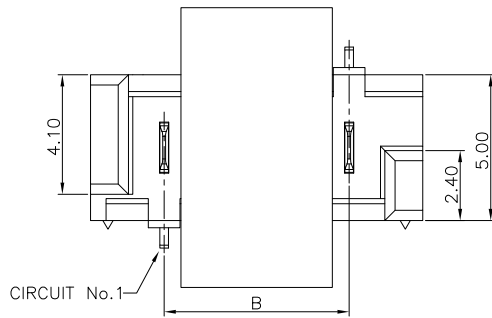
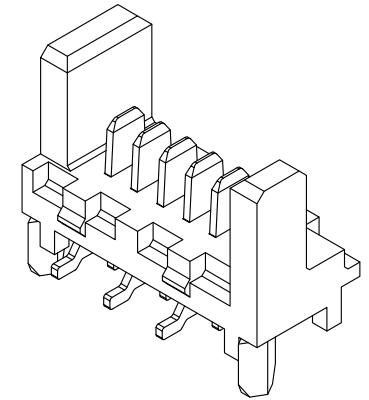


Specifications:  
 Current Rating:1.2A AC/DC  
 Voltage Rating:250V AC/DC  $\triangle C$   
 Contact Resistance:15m ohm. Max.  
 Insulation Resistance:1000M ohm. Min.  
 Withstanding Voltage:750V AC For One Minute  
 Operating Temperature Range:-40°C To +105°C

Materials:  
 Insulator:High Temp. Plastic(LCP UL94V-0)  
 Insulator Color:Black  
 Terminal:Copper Alloy  
 Plating:Gold



RECOMMENDED P.C.B LAYOUT WITH PCB PEGS  
 FROM COMPONENT SIDE PCB THICKNESS (1.60±0.14)

DIMENSION INFORMATION:

NUMBER OF CIRCUITS	DIM A	DIM B	DIM C	DIM D
04	8.86	3.81	7.66	6.40 OR 4.10
06	11.40	6.35	10.20	
08	13.94	8.89	12.74	
10	16.48	11.43	15.28	
12	19.02	13.97	17.82	
14	21.56	16.51	20.36	
16	24.10	19.05	22.90	
18	26.64	21.59	25.44	
20	29.18	24.13	27.98	
22	31.72	26.67	30.52	
24	34.26	29.21	33.06	
26	36.80	31.75	35.60	

RoHS Compliant

TOLERANCES ARE



煜倫股份有限公司

www.morethanall.com

DRAWING BY CY

CHECKED BY GENIUS

UNIT / mm SCALE 1 : 1

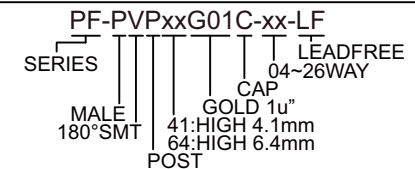
DATE

SIZE A4 PPROJECTION

X, ±  
 .X ±  
 .XX ±  
 .XXX ±  
 ANG ±

照片框

ORDER INFORMATION



DESCRIPTION: 1.27mm Wafer Straight SMT Type