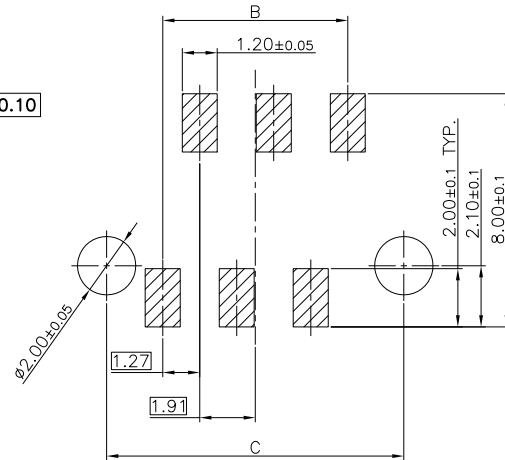
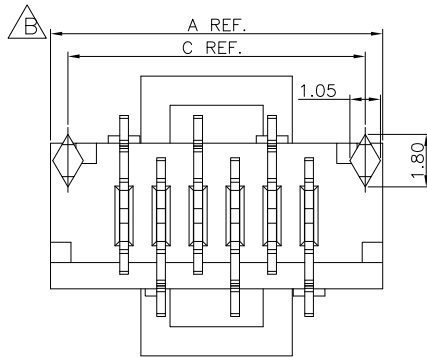
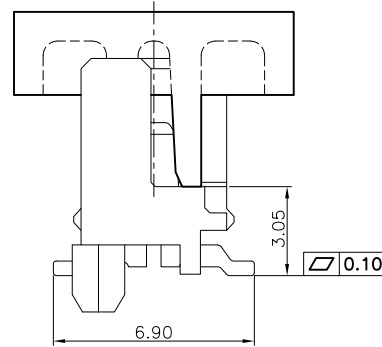
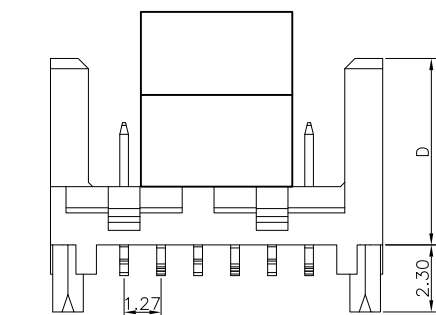
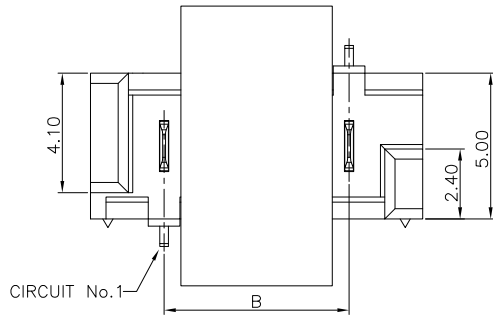
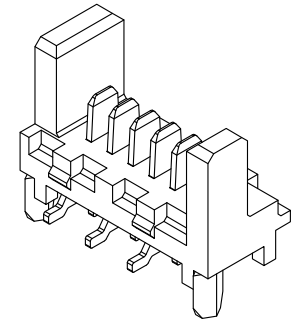


Specifications:

Current Rating:1.2A AC/DC  
 Voltage Rating:250V AC/DC  $\triangle C$   
 Contact Resistance:15m ohm. Max.  
 Insulation Resistance:1000M ohm. Min.  
 Withstanding Voltage:750V AC For One Minute  
 Operating Temperature Range:-40°C To +105°C

Materials:

Insulator:High Temp. Plastic(LCP UL94V-0)  
 Insulator Color:Black or White  $\triangle D$   
 Terminal:Copper Alloy  
 Plating:Gold or Tin Plated



RECOMMENDED P.C.B LAYOUT WITH PCB PEGS  
 FROM COMPONENT SIDE PCB THICKNESS (1.60±0.14)

DIMENSION INFORMATION:

NUMBER OF CIRCUITS	DIM A	DIM B	DIM C	DIM D
04	8.86	3.81	7.66	6.40 OR 4.10
06	11.40	6.35	10.20	
08	13.94	8.89	12.74	
10	16.48	11.43	15.28	
12	19.02	13.97	17.82	
14	21.56	16.51	20.36	
16	24.10	19.05	22.90	
18	26.64	21.59	25.44	
20	29.18	24.13	27.98	
22	31.72	26.67	30.52	
24	34.26	29.21	33.06	
26	36.80	31.75	35.60	

RoHS Compliant



煜倫股份有限公司

www.morethanall.com

DRAWING BY CY

CHECKED BY GENIUS

UNIT / mm SCALE 1 : 1

DATE

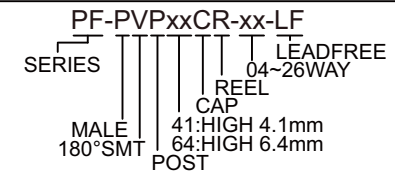
SIZE A4 PPROJECTION  $\triangle$

TOLERANCES ARE

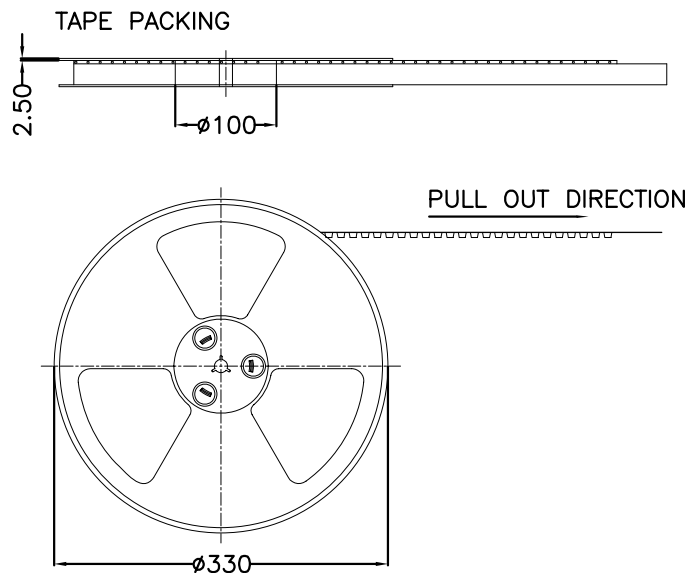
X. ±  
 .X ±  
 .XX ±  
 .XXX ±  
 ANG ±

照片框

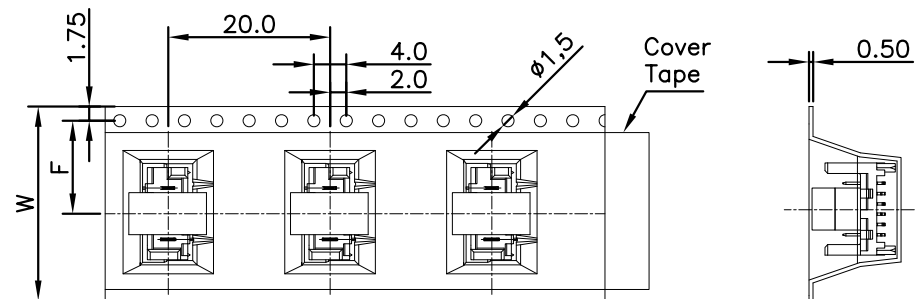
ORDER INFORMATION



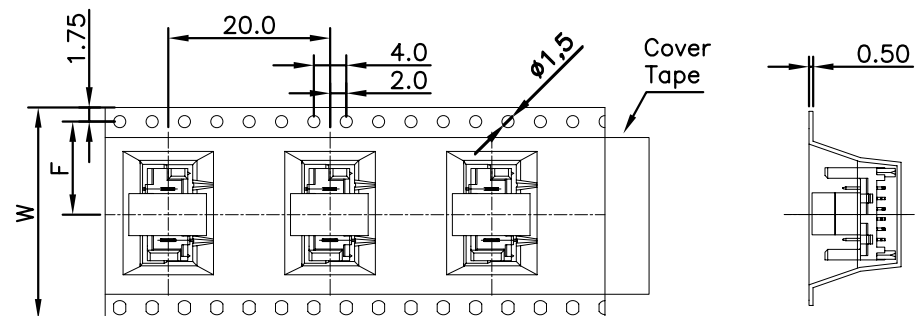
DESCRIPTION: 1.27mm Wafer Straight SMT Type



Pin.	W	F	Pcs/R	R/Cartron	Pcs/Cartron
4	24	11.5	250	9	2250
6	24	11.5	250	9	2250
8	32	14.2	250	7	1750
10	32	14.2	250	7	1750
12	44	20.2	250	5	1250
14	44	20.2	250	5	1250
16	44	20.2	250	5	1250
18	44	20.2	250	5	1250
20	44	20.2	250	5	1250
22	56	26.2	250	4	1000
24	56	26.2	250	4	1000
26	56	26.2	250	4	1000



For Reel width (dimension W)16,24mm  
Single row hole



For Reel width (dimension W)32,44,56,72mm  
Double rows hole

**Note:**

- 1.All dimensions meet EIA-481-3 requirements.
- 2.Material : BK Conductive Polystyrene Alloy  
100% recyclable.
- 3.Thickness : 0.50±0.05mm
- 4.Carton Size:350\*350\*296(mm)

**RoHS Compliant**

TOLERANCES ARE

**MORETHANALL**  
PCB CONNECTORS  
Cable ASSEMBLIES

煜倫股份有限公司

www.morethanall.com

DRAWING BY CY

CHECKED BY GENIUS

UNIT / mm

SCALE 1 : 1

DATE

SIZE A4

X, ±  
.X ± 0.20  
.XX ± 0.15  
.XXX ±  
ANG ±

PPOJECTION

照片框

**ORDER INFORMATION**

PF-PVPxxCR-xx-LF  
SERIES | | | | LEADFREE  
| | | | 04~26WAY  
| | | | REEL  
| | | | CAP  
MALE 41:HIGH 4.1mm  
180°SMT 64:HIGH 6.4mm  
POST

DESCRIPTION: 1.27mm Wafer Straight SMT Type Packing List