

Specifications:

Current Rating:1.2A AC/DC

Voltage Rating:250V AC/DC

Contact Resistance:20m Ohm Max

Insulation Resistance:1000M Ohm Min

Withstanding Voltage:500V AC/Minute

Operating Temperature:-40°C To +105°C

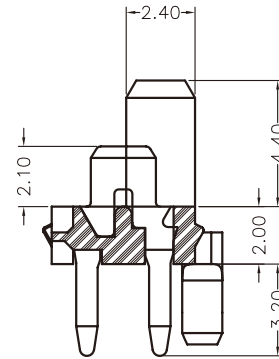
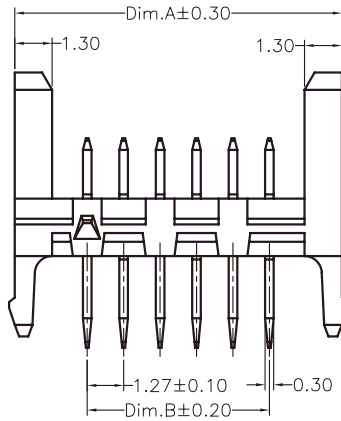
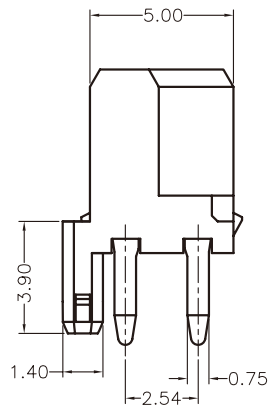
Materials and Finish:

Insulator:High Temp Plastic (Nylon46 UL94V-0)

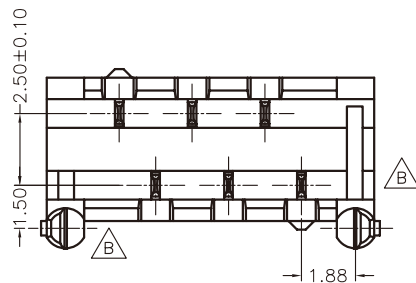
Insulator Color:Black

Contact:Phosphor Bronze

Contact Plated:Tin Plated

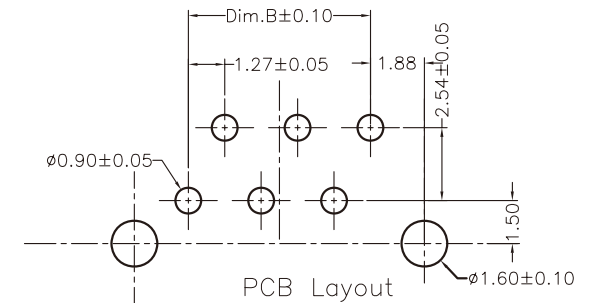


SECTION: A-A



Dimension:

Pos.	Dimension:		Pos.	Dimension:	
	A	B		A	B
04	8.86	3.81	16	24.10	19.05
06	11.40	6.35	18	26.64	21.59
08	13.94	8.89	20	29.18	24.13
10	16.48	11.43	22	31.72	26.67
12	19.02	13.97	24	34.26	29.21
14	21.56	16.51	26	36.80	31.75



MORETHANALL
PCB CONNECTORS
Cable ASSEMBLIES

煜倫股份有限公司

www.morethanall.com

RoHS Compliant

DRAWING BY CY

CHECKED BY GENIUS

UNIT / mm SCALE 1 : 1

DATE

SIZE A4

TOLERANCES ARE

X. ±

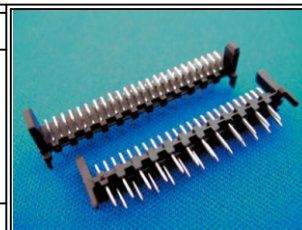
.X ±

.XX ±

.XXX ±

ANG ±

P PROJECTION



ORDER INFORMATION

PF-PDP-xx-LF
SERIES | LEADFREE
04~26WAY
POST
DIP 180°
MALE

DESCRIPTION: 1.27mm IDC Connector Straight Type