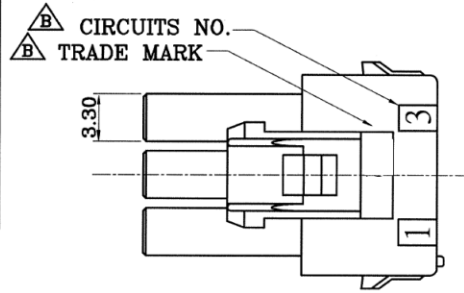
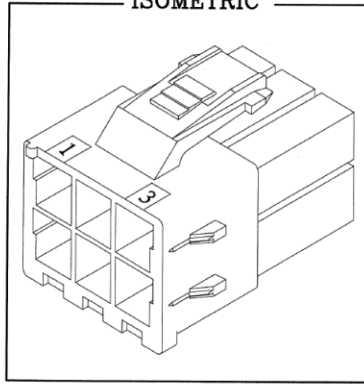
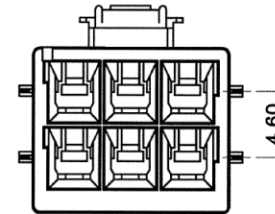
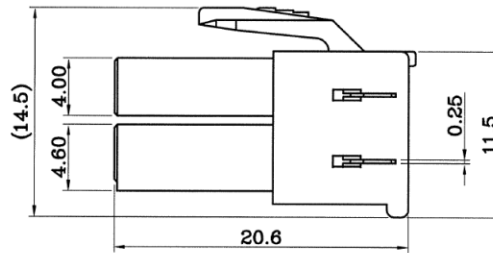
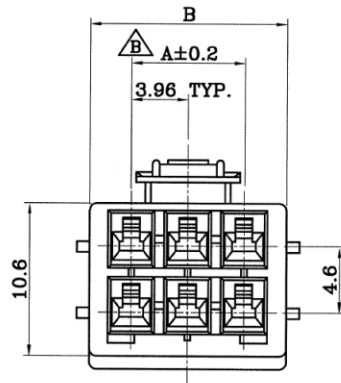


ISOMETRIC

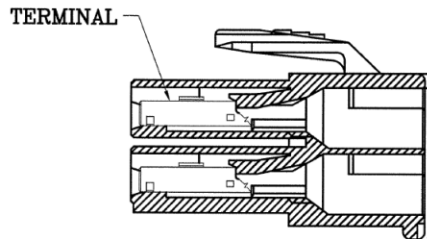


NOTES:
1. MATERIAL: NYLON66 94V-0
GLASS-FILLED NYLON66 94V-0



DIMENSIONS:

CIRCUITS	DIM. A	DIM. B
4	3.96	9.9
6	7.92	13.9
8	11.88	17.9
10	15.84	21.8
12	19.80	25.8
14	23.76	29.7
16	27.72	33.7
18	31.68	37.7
20	35.64	41.6
22	39.60	45.6
24	43.56	49.5



SECTION VIEW FOR ASSEMBLY

RoHS Compliant

TOLERANCES ARE

MORETHANALL
PCB CONNECTORS
Cable ASSEMBLIES

DRAWING BY CY

CHECKED BY GENIUS

UNIT / mm

SCALE 1:1

DATE

SIZE A4

X, ±
.X ± 0.25
.XX ± 0.12
.XXX ± 0.08
ANG ± 3°

PJECTION

照片框

ORDER INFORMATION

PDL-SH-2Xxx-LF
SERIES | LEADFREE
2X02:04WAY
2X12:24WAY
HOUSING
FEMALE

煜倫股份有限公司

www.morethanall.com

DESCRIPTION: