

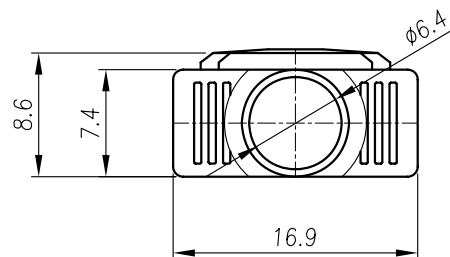
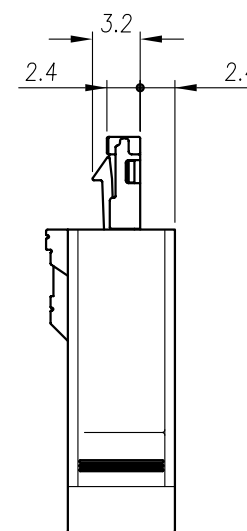
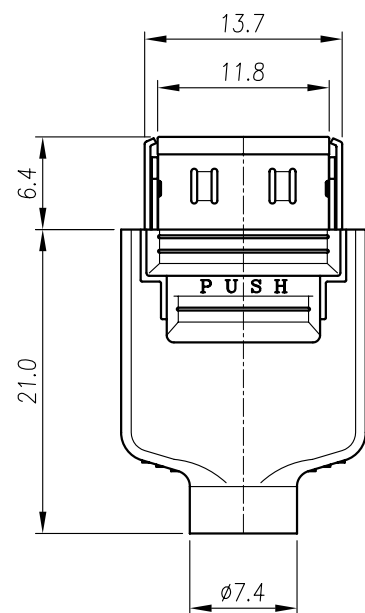
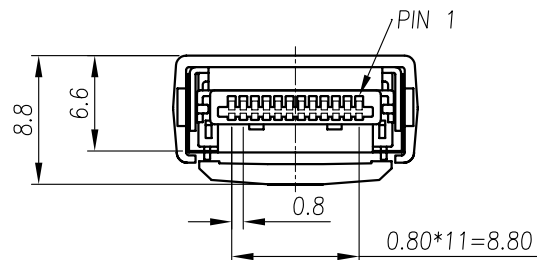
NOTE:

1. MATERIAL:

- 1-1.PLASTIC COVER: PC 94-V0
- 1-2.HOUSING: PBT (BLACK)
- 1-3.METAL UP COVER: NICKEL SILVER
- 1-4.METAL DOWN COVER: BRASS
- 1-5.PIN: PHOSPHOR BRONZE
- 1-6.SPRING: STAINLESS SUS#301

2. PLATING:

- 2-1.PIN: TIN,GOLD 10u"
- 2-2.METAL DOWN COVER: NICKEL 60u"



RoHS Compliant

TOLERANCES ARE

MORETHANALL
PCB CONNECTORS
Cable ASSEMBLIES

煜倫股份有限公司

www.morethanall.com

DRAWING BY CY

CHECKED BY GENIUS

UNIT / mm SCALE 1:1

DATE

SIZE A4

X. ±
.X ±
.XX ±
.XXX ±
ANG ±

PPOJECTION

照片框

ORDER INFORMATION

PCM-PA-12-LF
SERIES | LEADFREE
12 WAY
ASSEMBLY
MALE

DESCRIPTION: PCMCIA 12PIN 公插