

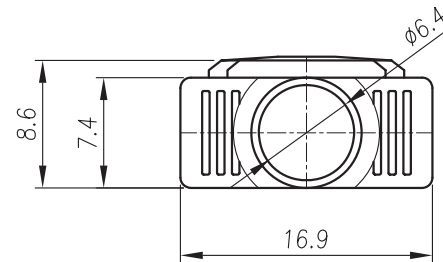
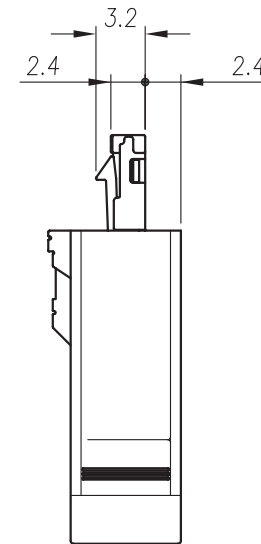
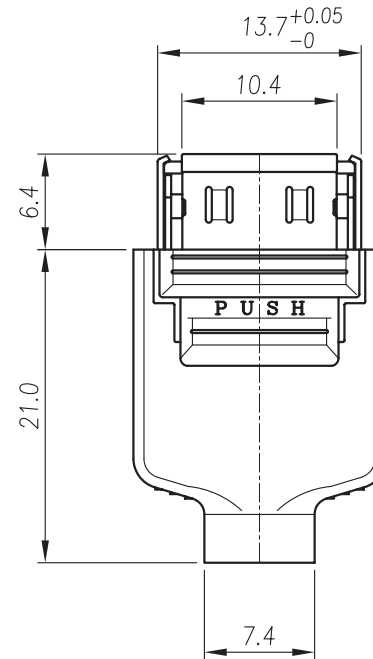
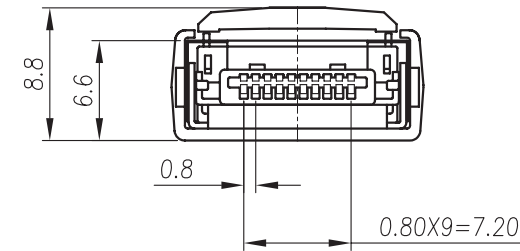
NOTE:

1. MATERIAL:

- 1-1.PLASTIC COVER: C1200(ABC+PC)94-V0
- 1-2.HOUSING: PBT+30GF(BLACK)
- 1-3.METAL UP COVER: NICKEL SILVER
- 1-4.METAL DOWN COVER: BRASS
- 1-5.PIN: PHOSPHOR BRONZE
- 1-6.SPRING: STAINLESS SUS#301

2. PLATING:

- 2-1.PIN:TIN,GOLD 10u"
- 2-2.SHELL:NICKEL 60u"



RoHS Compliant

TOLERANCES ARE

**MORETHANALL**  
PCB CONNECTORS  
Cable ASSEMBLIES

DRAWING BY CY

X.±

CHECKED BY GENIUS

.X±

UNIT / mm

SCALE 1:1

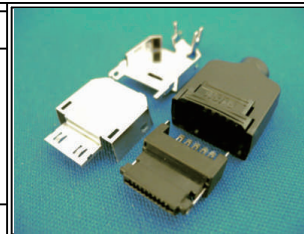
.XXX±

DATE

ANG±

SIZE A4

PPOJECTION



ORDER INFORMATION

PCM-PA-10-LF  
SERIES | T LEADFREE  
10WAY  
ASSEMBLY  
MALE

煜倫股份有限公司

www.morethanall.com

DESCRIPTION: PCMCIA 10PIN 公座成品