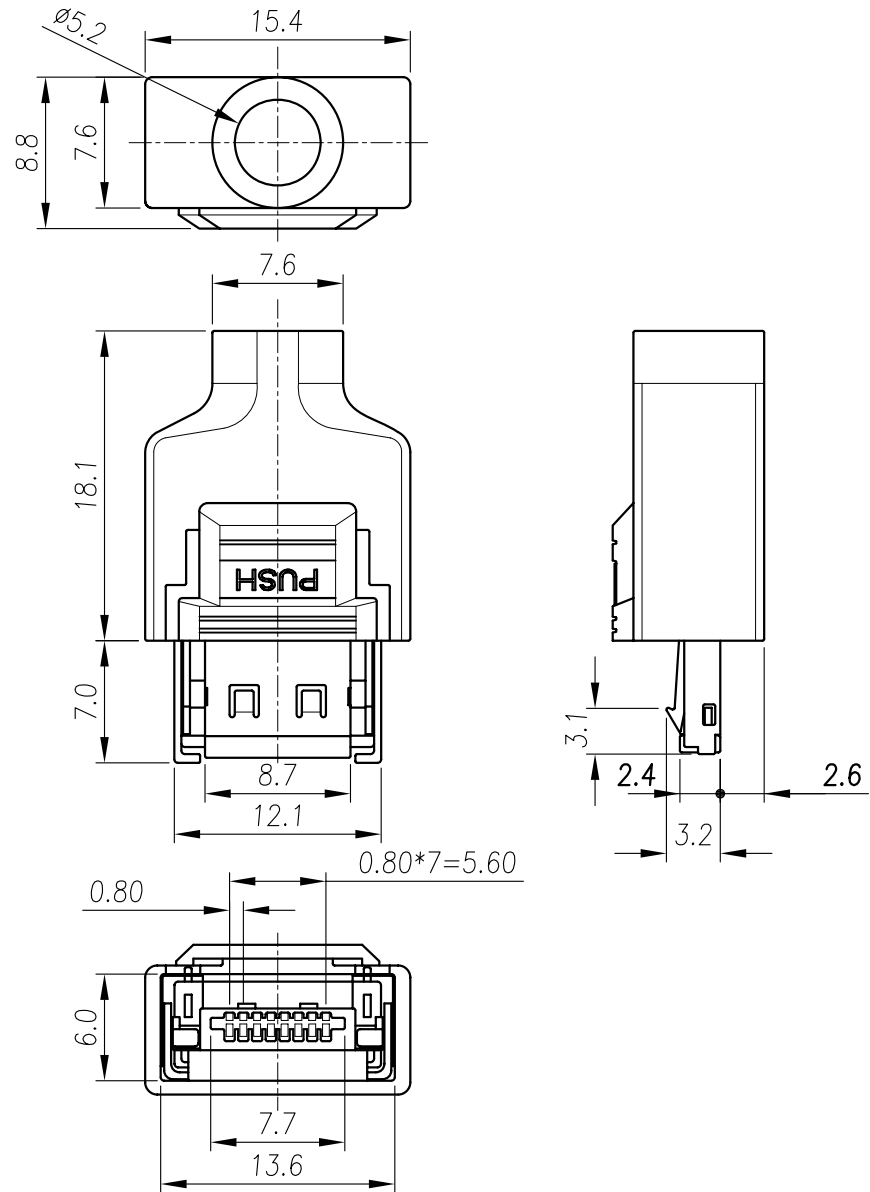


備註 /NOTE:

1. 材質 /MATERIAL: PC(防火)94-V0
2. 材質 /MATERIAL: 不鏽鋼 SUS#301/STAINLESS SUS#301
3. 材質 /MATERIAL: 磷銅 /PHOSPHOR BRONZE
4. 膠芯 /HOUSING: PBT(黑色/BLACK)
5. 材質 /MATERIAL: 黃銅 /BRASS
6. 材質 /MATERIAL: 洋白板 NICKEL SILVER

備註 /NOTE:

- 2-1 電鍍 /PLATING: 金 10u"/GOLD10u"
- 2-2. 電鍍 /PLATING: 鍍鎳 60u"/NICKEL60u"



RoHS Compliant

TOLERANCES ARE

MORETHANALL
PCB CONNECTORS
Cable ASSEMBLIES

煜倫股份有限公司

www.morethanall.com

DRAWING BY CY

CHECKED BY GENIUS

UNIT / mm SCALE 1:1

DATE

SIZE A4

X. ±

.X ±

.XX ±

.XXX ±

ANG ±

PPOJECTION

照片框

ORDER INFORMATION

PCM-PA-08-LF
SERIES | LEADFREE
08 WAY
ASSEMBLY
MALE

DESCRIPTION: PCMCIA 8PIN 公座成品