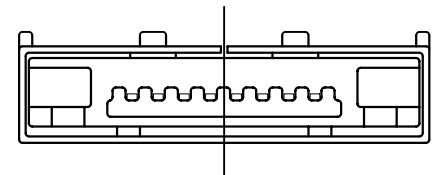
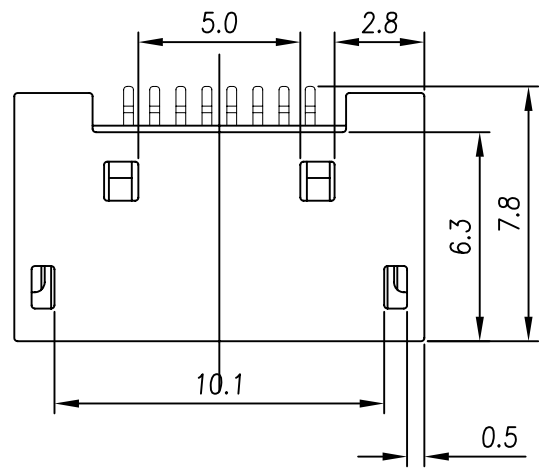
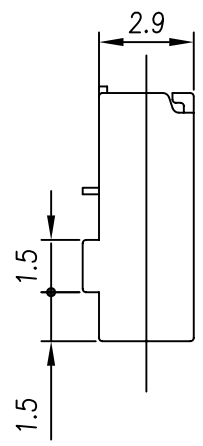
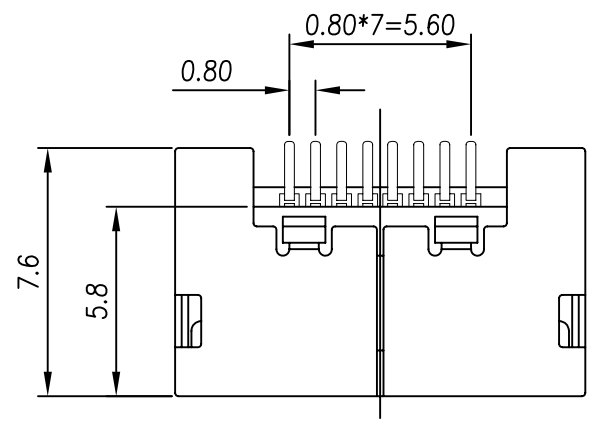


Recommend P.C.B Layout



NOTE:

材質 / MATERIAL:

- 1-1. 鐵殼 / SHELL : 不鏽鋼 / STAINLESS
- 1-2. 端子 / PIN : 磷銅 / PHOSPHOR BRONZE
- 1-3. 膠芯 / HOUSING : LCP

2. 電鍍

- 2-1. 端子 / PIN : 錫, 金 10u" / TIN, GOLD 10u"
- 2-2. 鐵殼 / 鍍 50u"

RoHS Compliant

TOLERANCES ARE

- X. ±
- .X ±
- .XX ±
- .XXX ±
- ANG ±

照片框

ORDER INFORMATION

PCM-JW-08-LF
 SERIES | LEADFREE
 08WAY
 90° SMT
 JACK

DESCRIPTION: PCMCIA 8PIN 母座成品



煜倫股份有限公司

www.morethanall.com

DRAWING BY CY

CHECKED BY GENIUS

UNIT / mm SCALE 1 : 1

DATE

SIZE A4

P PROJECTION