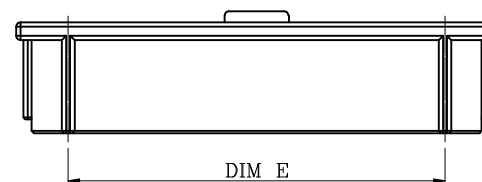
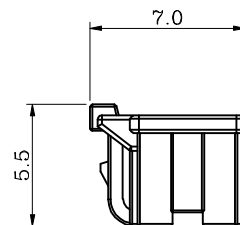
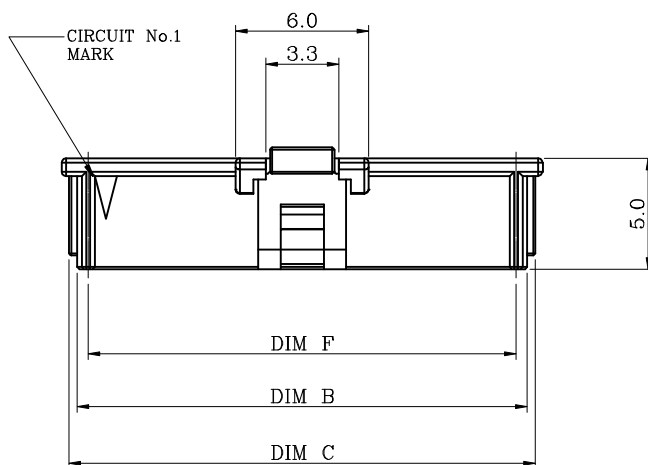
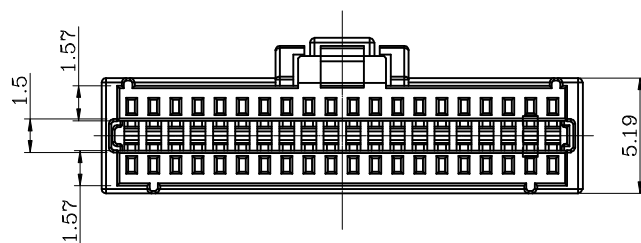


ISOMETRIC



NOTES:

1. MATERIAL: NYLON 66 94V-0



DIMENSION:

	PCL-H-2X10	PCL-H-2X20
DIM A	9.0	19.0
DIM B	10.3	20.3
DIM C	11.0	21.0
DIM D	11.7	21.7
DIM E	6.9	16.9
DIM F	9.2	19.2

RoHS Compliant

TOLERANCES ARE

**MORETHANALL**  
PCB CONNECTORS  
Cable ASSEMBLIES

煜倫股份有限公司

www.morethanall.com

DRAWING BY CY

CHECKED BY GENIUS

UNIT / mm SCALE 1 : 1

DATE

SIZE A4

X, ±  
.X ± 0.25  
.XX ± 0.12  
.XXX ± 0.08  
ANG ±

PPOJECTION

照片框

ORDER INFORMATION

PCL-H-2Xxx-LF  
SERIES | LEADFREE  
2X10:20 WAY  
2X20:40 WAY  
HOUSING

DESCRIPTION: