

DIMENSIONS					
POSITION	A ±0.20	B $+0.20$ $-0.08$	C ±0.25	D ±0.25	E ±0.3
36	6	7.65	9.15	25	27
64	20	21.65	23.15	39	41
98	37	38.65	40.15	56	58
164	70	71.65	73.15	89	91

RoHS Compliant

TOLERANCES ARE

**MORETHANALL**  
PCB CONNECTORS  
Cable ASSEMBLIES

DRAWING BY CY

X. ± 0.40

CHECKED BY GENIUS

.X ± 0.30

UNIT / mm

SCALE 1 : 1

.XX ± 0.20

DATE

.XXX ± 0.10

ANG ±

SIZE A4

PJECTION

照片框

ORDER INFORMATION

PCIX -VPEC -xxx -LF

SERIES

|

|

|

|

|

|

|

|

|

|

|

|

|

|

|

|

|

|

|

|

|

|

|

|

LEADFREE

036~164WAY

CAP

EAR

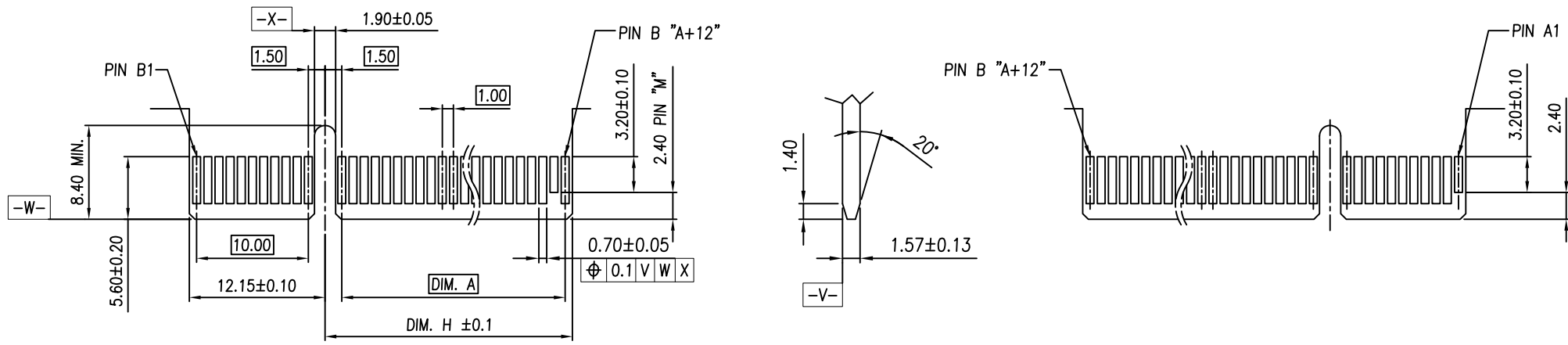
POST

180°SMT

煜倫股份有限公司

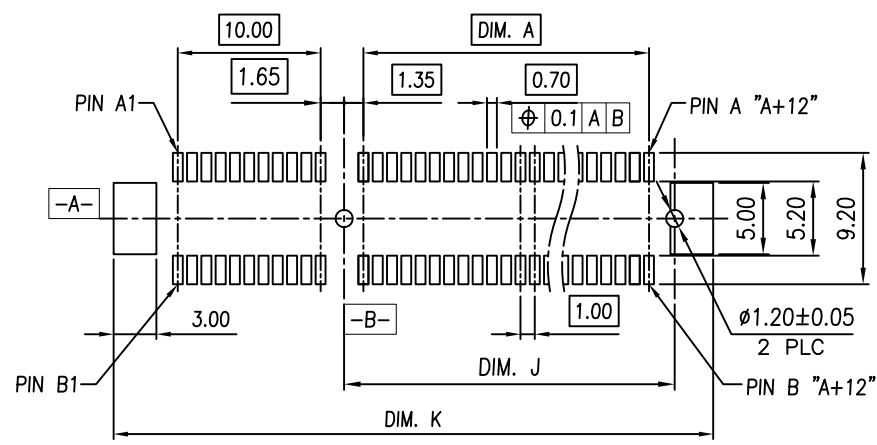
www.morethanall.com

DESCRIPTION: PCI EXPRESS 4.0 SMT TYPE



← I/O PANEL DIRECTION  
PRIMARY (COMPONENT) SIDE

NOTES:  
CHAMFER EDGE MUST BE FREE OF CUTTING BURRS SECONDARY (SOLDER) SIDE



RECOMMENDED PCB LAYOUT  
(COMPONENT SIDE)

TOLERANCE: ±0.05

POS.	DIM. A	DIM. H	DIM. J	DIM. K	"M"
36	6	8.15	9.15	28.0	B17
64	20	22.15	23.15	42.0	B31
98	37	39.15	40.15	59.0	B48
164	70	72.15	73.15	92.0	B81

照片框

RoHS Compliant

TOLERANCES ARE

**MORETHANALL**  
PCB CONNECTORS  
Cable ASSEMBLIES

DRAWING BY CY

X. ± 0.40

CHECKED BY GENIUS

.X ± 0.30

UNIT / mm SCALE 1 : 1

.XX ± 0.20

DATE

.XXX ± 0.10

SIZE A4

P PROJECTION

ANG ±

ORDER INFORMATION

PCIX -VPEC -xxx -LF

SERIES LEADFREE

036~164WAY  
CAP  
EAR  
POST  
180°SMT

煜倫股份有限公司

www.morethanall.com

DESCRIPTION: PCI EXPRESS 4.0 SMT TYPE

NOTES:

1. MATERIAL:

- 1.1 HOUSING: THERMOPLASTIC, HIGH TEMP, UL94V-0, COLOR: BLACK.
- 1.2 CONTACTS: COPPER ALLOY.
- 1.3 HOLDDOWN: COPPER ALLOY.
- 1.4 CAP: THERMOPLASTIC, HIGH TEMP, UL94V-0, COLOR: BLACK.

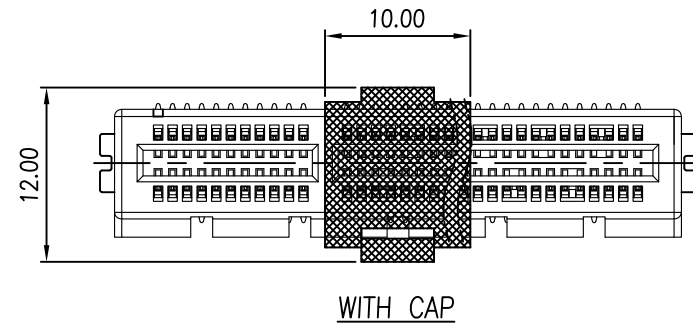
2. FINISH:

2.1 CONTACT:

- SELECTIVE GOLD PLATING ON THE CONTACT AREA.
- 100 $\mu$ " MIN. MATTE-TIN PLATING ON THE SOLDER TAILS,
- 50 $\mu$ " MIN. NICKEL UNDERPLATING OVERALL.

2.2 HOLDDOWN:

- 100 $\mu$ " MIN. MATTE-TIN PLATING WITH 50 $\mu$ " MIN. NICKEL UNDERPLATE OVERALL.



RoHS Compliant

TOLERANCES ARE

**MORETHANALL**  
PCB CONNECTORS  
Cable ASSEMBLIES

煜倫股份有限公司

www.morethanall.com

DRAWING BY CY

CHECKED BY GENIUS

UNIT / mm

SCALE 1:1

DATE

SIZE A4

X.  $\pm$  0.40

.X  $\pm$  0.30

.XX  $\pm$  0.20

.XXX  $\pm$  0.10

ANG  $\pm$

PPOJECTION

照片框

ORDER INFORMATION

PCIX -VPEC -xxx -LF

SERIES | | | LEADFREE  
036~164WAY

CAP  
EAR  
POST  
180°SMT

DESCRIPTION: PCI EXPRESS 4.0 SMT TYPE