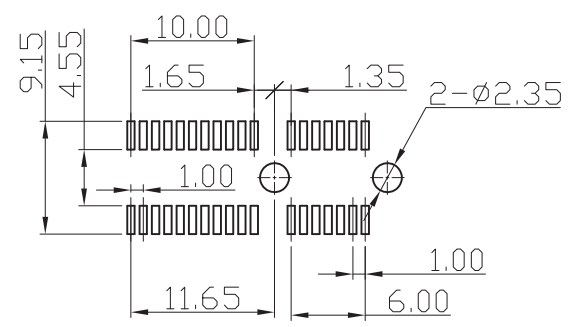
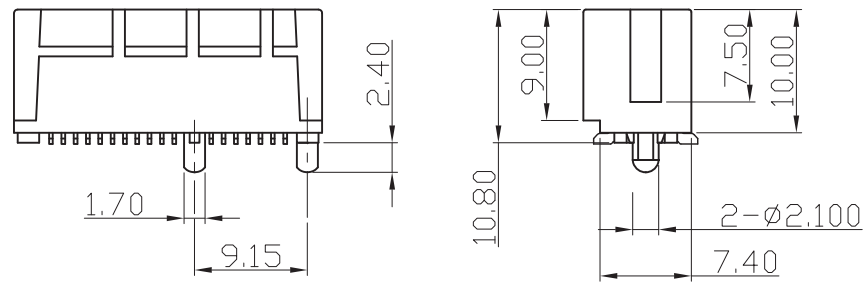


NOTE:
 MATERIAL:
 HOUSING: NY46+GF
 CONTACT: BRASS
 PLATING:
 CONTACT: GOLD PLATING
 SPECIFICATION:
 VOLTAGE RATING: 50V
 CURRENT RATING: 1.1A
 CONTACT RESISTANCE TERMINAL: 20mΩ MAX
 DIELECTRIC WITHSTANDING VOLTAGE: 500V AC
 INSULATION RESISTANCE: 1000MΩ MIN



RECOMMENDED PCB LAYOUT

RoHS Compliant

TOLERANCES ARE



DRAWING BY CY
 CHECKED BY GENIUS
 UNIT / mm SCALE 1 : 1
 DATE

X. ±
 .X ±
 .XX ±
 .XXX ±
 ANG ±

煜倫股份有限公司

www.morethanall.com

SIZE A4 PROJECTION



ORDER INFORMATION

PCIX-VP-036-LF
 SERIES | LEADFREE
 36 WAY
 POST
 180°SMT

DESCRIPTION: PCI 36PIN SMT 無耳扣