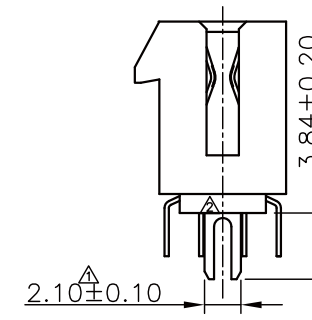
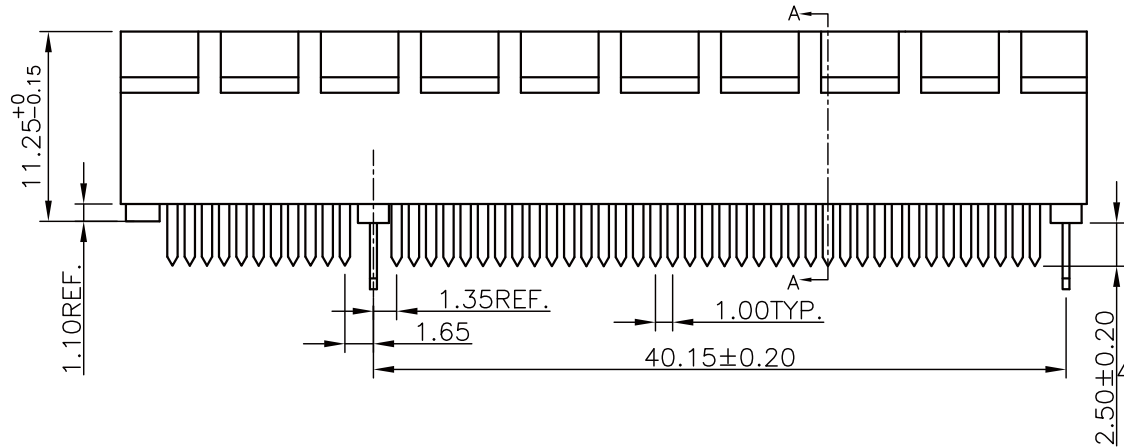


SECTION: A-A



NOTES:

Housing: HIGH TEMPERATURE THERMOPLASTIC UL94V-0.  
 CONTACT: COPPER ALLOY,  
 GOLD FLASH(1u' MIN) ALL OVER 50u' NICKEL,  
 TIN PALTING AT SOLD TAIL AREA, NICKEL PLATING.  
 BOARDLOCK: SPCC, NICKEL PLATED.

RoHS Compliant

TOLERANCES ARE

**MORETHANALL**  
 PCB CONNECTORS  
 Cable ASSEMBLIES

煜倫股份有限公司

www.morethanall.com

DRAWING BY CY

CHECKED BY GENIUS

UNIT/mm SCALE 1:1

DATE

SIZE A4

X.±  
 .X±  
 .XX±  
 .XXX±  
 ANG±

PJECTION

照片框

ORDER INFORMATION

PCIX-DZ-098-LF  
 SERIES | LEADFREE  
 | 98 WAY  
 | CLIP  
 | DIP 180°

DESCRIPTION: