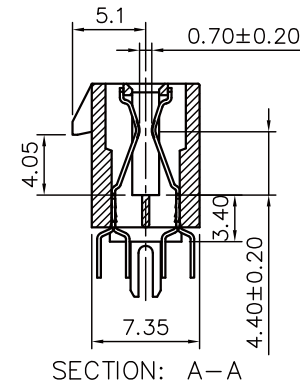
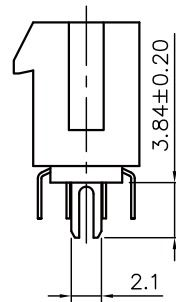


RECOMMENDED PCB LAYOUT



SECTION: A-A

NOTES:

- MATERIAL
HOUSING: HIGH TEMPERATURE THERMOPLASTIC UL94V-0;
CONTACT: COPPER ALLOY;
BOARDLOCK: SPCC;
- FINISH:
CONTACT AREA: GOLD FLASH (1U'' MIN) PLATING, ALL OVER 50U'' NICKEL;
BOARDLOCK: ALL OVER NICKEL;

RoHS Compliant

TOLERANCES ARE

MORETHANALL
PCB CONNECTORS
Cable ASSEMBLIES

DRAWING BY CY

CHECKED BY GENIUS

UNIT / mm SCALE 1 : 1

DATE

SIZE A4

X, ±
.X ±
.XX ±
.XXX ±
ANG ±

PJECTION

照片框

ORDER INFORMATION

PCIX-DZ-064-LF
SERIES LEADFREE
64 WAY
CLIP
DIP 180°

煜倫股份有限公司

www.morethanall.com

DESCRIPTION: