

◇ Material

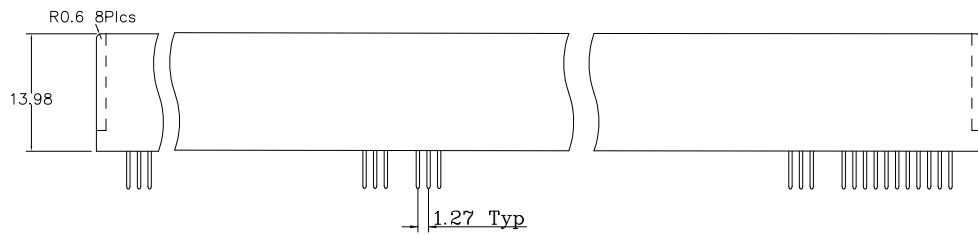
Body : High Temperature Thermoplastic,UL 94V-0(P.P.S)  
 Contacts : Copper Alloy  
 Contact Plating : Gold Plating Over Nickel On Contact  
 Area Tin Plating On Terminal Solder Tail.

◇ Mechanical

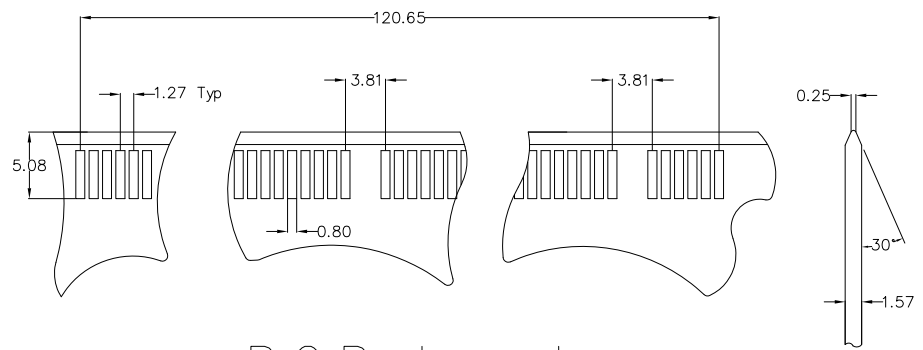
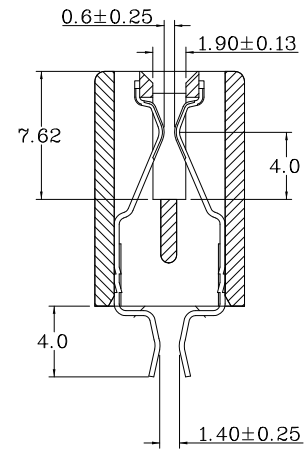
Contact Normal Force : 75 Grams.  
 Durability : 100 Cycles.  
 Insertion Force : 196 Grams max.  
 Withdrawal Force : 28 Grams Min.  
 Contact Retention : 1 Lb. Min.

◇ Electrical Specification

Contact Resistance : 30 Milliohms Max.Initial, 10 Milliohms Max.  
 Increase Through Testing  
 Dielectric Withstanding Voltage : 500 VAC One Minute Or 1000 VAC  
 One Seconds.  
 Current Rating : 1 Ampere.  
 Insulation Resistance : 1000 Megohms min.  
 Operation Voltage : 125 VAC Max.  
 Capacitance : 2 pF Max.  
 Operating Temperature : -55°C To 105°C



PCI-E-184V3-LF  
 LEADFREE  
 RoHS Compliant



P.C.B. Layout  
 Three Bay Version



PART NO. PCI-E-184V3		CHECKED BY CY		TOLERANCES ARE .X ± 0.2 .XX ± .XXX ± AWG	DESCRIP TION: PCI 184 Pins 3.3V Connecto Straddle Type Non-Post		
DWG NO. PCI-E-184V3		DRAWING BY					
FILE NO.		PROJECTION		AREA	REVISIONS	HK	DATE
UNIT / mm	SCALE 1:1						

煜倫股份有限公司