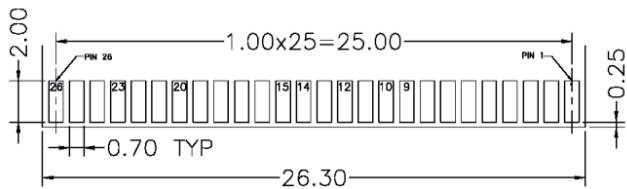


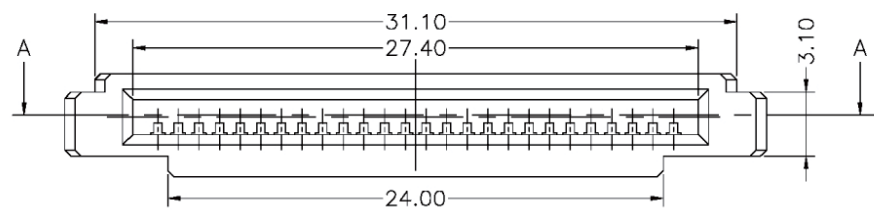
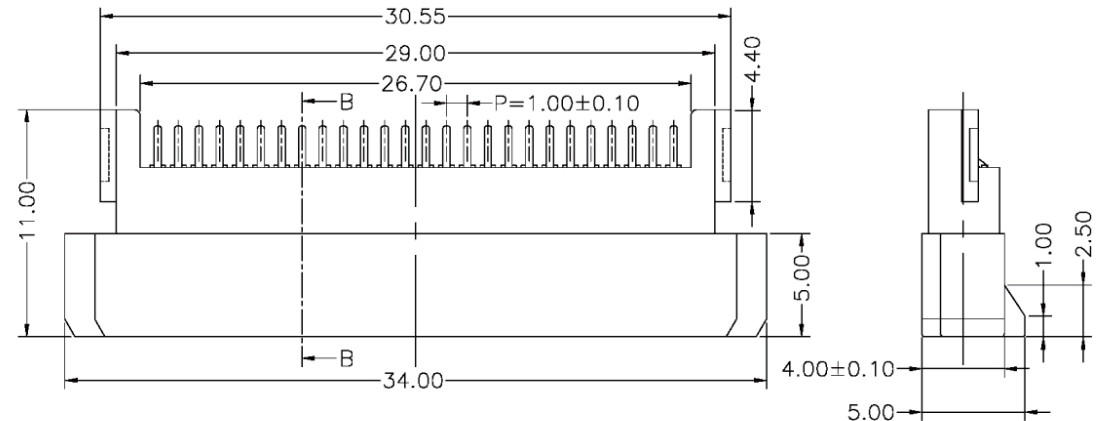
Section B-B



Recommend P.C.B. layout
Tolarances $\pm 0.05\text{mm}$

Notes:

- 1). Material:
Insulator: LCP+30% G.F., UL 94V-0 rated, Color Black.
Contact: Phosphor Bronze
- 2). Plating
Contact area: Gold Plating 15 U" over Ni underplate.
Soldering Zone: Tin over Ni. undreplate.



RoHS Compliant

TOLERANCES ARE

MORETHANALL
PCB CONNECTORS
Cable ASSEMBLIES

DRAWING BY CY

X, \pm

CHECKED BY GENIUS

.X, \pm

UNIT / mm

SCALE 1:1

.XX, \pm

DATE

.XXX, \pm

ANG, \pm

煜倫股份有限公司

www.morethanall.com

SIZE A4

PPOJECTION

照片框

ORDER INFORMATION

PCE-SW02-26-LF
SERIES | LEADFREE
26 WAY
0.2mm
90° SMT
FEMALE

DESCRIPTION: