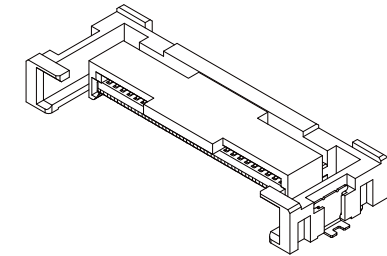


NOTE:

1. Material:
 - Housing: Engineering Plastic, LCP+30%G.F. UL94V-0 Rated
 - Cover: Engineering Plastic, LCP+30%G.F. UL94V-0 Rated
 - Contact: Copper Alloy
 - Fitting nail: Copper Alloy
2. Plating:
 - Contact:
 - . Underplating: 40~150u" Nickel over all
 - . Contact Area: Gold 15u"
 - . Solder Tail: 60~200u" Tin
 - . Fitting nail: 60~200u" Tin
3. ●: Manufacturer inspection
4. ◆: O.C Inspection



RoHS Compliant

TOLERANCES ARE

MORETHANALL
PCB CONNECTORS
Cable ASSEMBLIES

DRAWING BY CY

X. ±

CHECKED BY GENIUS

.X ±

UNIT / mm

SCALE 1 : 1

.XX ±

DATE

.XXX ±

ANG ±

照片框

煜倫股份有限公司

www.morethanall.com

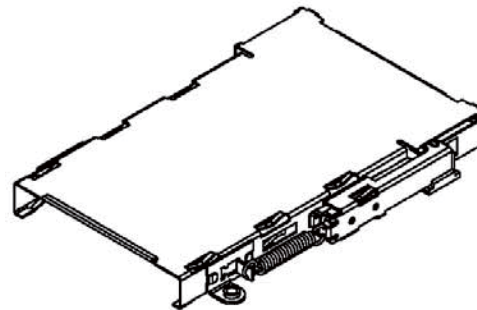
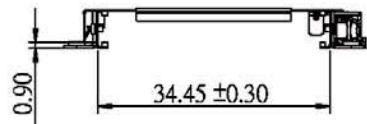
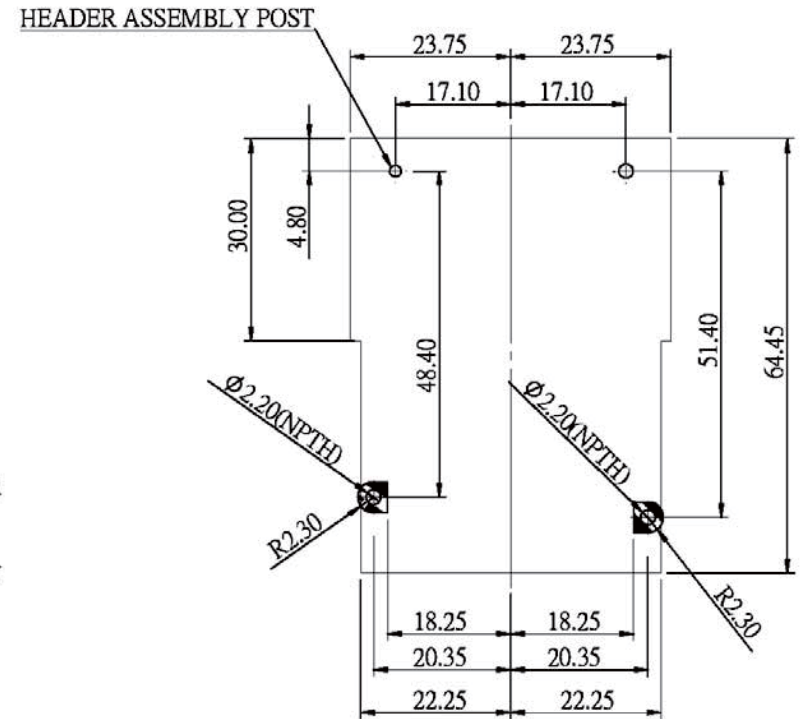
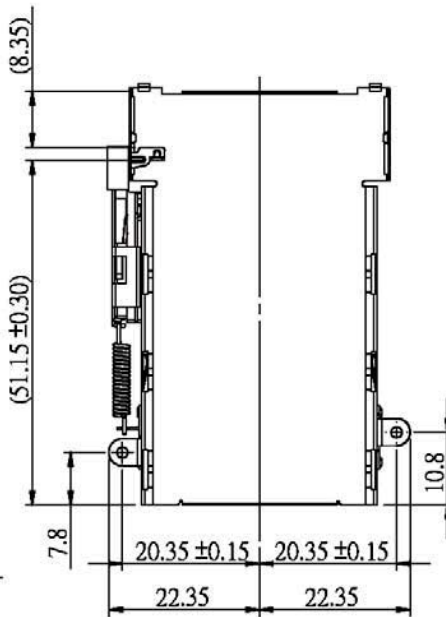
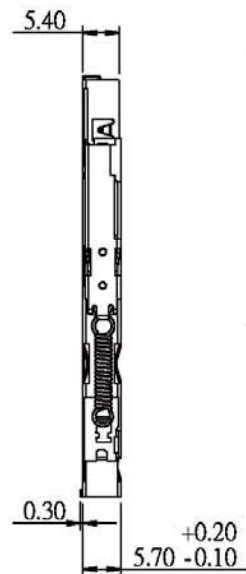
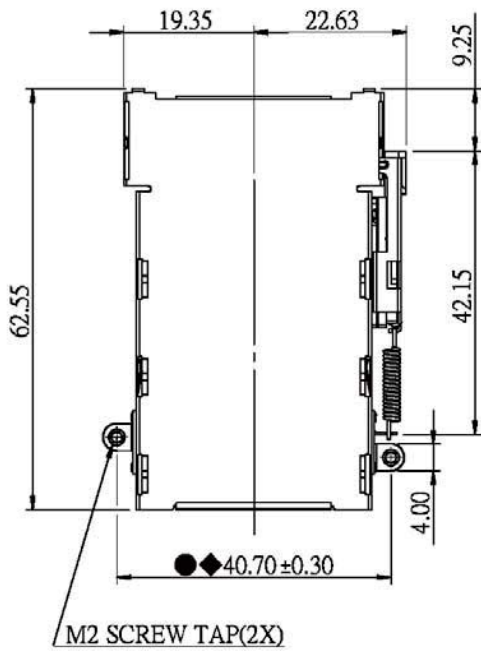
SIZE A4

PJECTION

ORDER INFORMATION

PCE-PWPRVP34-26-LF
SERIES | | | | LEADFREE
MALE | | | | 26WAY
90°SMT | | | | PUSH 34mm
REVERSED

DESCRIPTION:



Note:
 1. ●: MANUFACTURER INSPECTION.
 2. ◆: Q.C INSPECTION.

RoHS Compliant

TOLERANCES ARE

MORETHANALL
 PCB CONNECTORS
 Cable ASSEMBLIES

DRAWING BY CY

CHECKED BY GENIUS

UNIT / mm

SCALE 1:1

DATE

SIZE A4

PJECTION

X, ±
 .X ±
 .XX ±
 .XXX ±
 ANG ±

照片框

ORDER INFORMATION

PCE-PWPRVP34-26-LF
 SERIES | | | | LEADFREE
 | | | | 26WAY
 | | | | PUSH 34mm
 | | | | REVERSED
 MALE | | POST
 | | 90°SMT

煜倫股份有限公司

www.morethanall.com

DESCRIPTION: Ejector for Express card
 W=34.0mm no standoff