

MORETHANALL
PCB CONNECTORS
Cable ASSEMBLIES

煜倫股份有限公司

www.morethanall.com

RoHS Compliant

DRAWING BY CY

CHECKED BY GENIUS

UNIT / mm

SCALE 1 : 1

DATE

SIZE A4

TOLERANCES ARE

X. ±

.X ±

.XX ±

.XXX ±

ANG ±

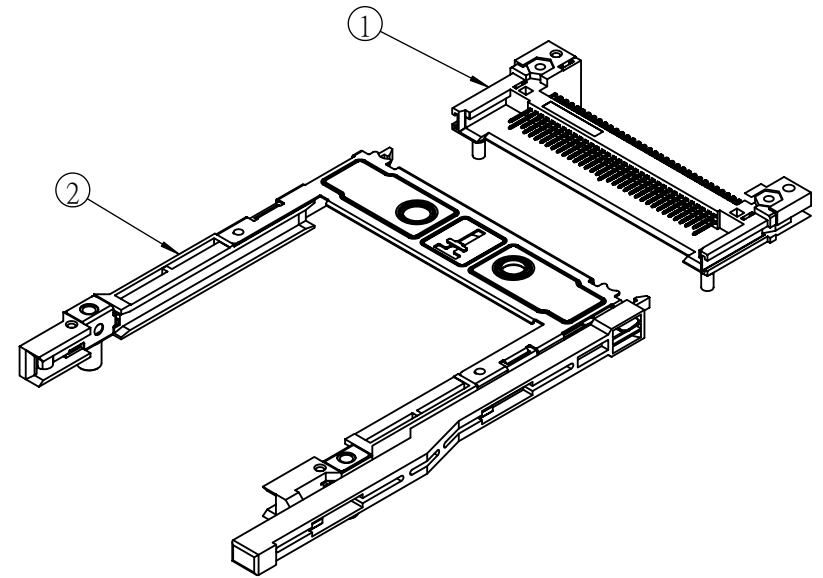
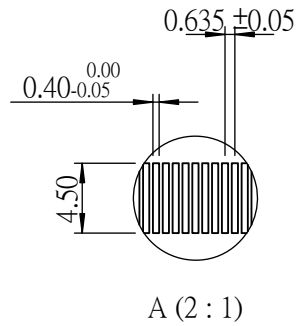
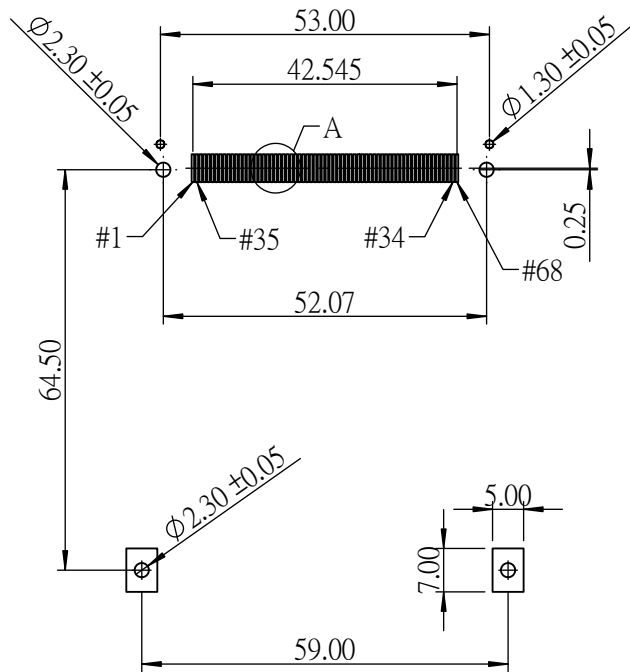
PJECTION



ORDER INFORMATION

PCC-PWL40V3RS9-68-LF
SERIES | | | | | LEADFREE
MALE | | | | | 68WAY
DIP 90° | | | | | 3.0V RIGHT STRAIGHT
STANDOFF 4.0mm
LONG RAIL

DESCRIPTION: PCMCIA ASSEMBLY



PCB LAYOUT : COMPONENT SIDE

ITEM	NAME
1	HEADER
2	EJECTOR

RoHS Compliant

TOLERANCES ARE

MORETHANALL
PCB CONNECTORS
Cable ASSEMBLIES

煜倫股份有限公司

www.morethanall.com

DRAWING BY CY

CHECKED BY GENIUS

UNIT / mm SCALE 1 : 1

DATE

SIZE A4

X. ±
.X ±
.XX ±
.XXX ±
ANG ±

PJECTION



ORDER INFORMATION

PCC-PWL40V3RS9-68-LF
SERIES | LEADFREE
MALE | 68WAY
DIP 90° | 3.0V | RIGHT STRAIGHT
STANDOFF 4.0mm
LONG RAIL

DESCRIPTION: PCMCIA ASSEMBLY