

NOTE:
 1.MATERIAL:
 ① STAINLESS STEEL 0.20±0.02 THICK
 ② MYLAR

RoHS Compliant

TOLERANCES ARE

MORETHANALL
 PCB CONNECTORS
 Cable ASSEMBLIES

煜倫股份有限公司

www.morethanall.com

DRAWING BY CY

CHECKED BY GENIUS

UNIT / mm

SCALE 1:1

DATE

SIZE A4

X ± 0.50

.X ± 0.25

.XX ± 0.15

.XXX ±

ANG ± 1°

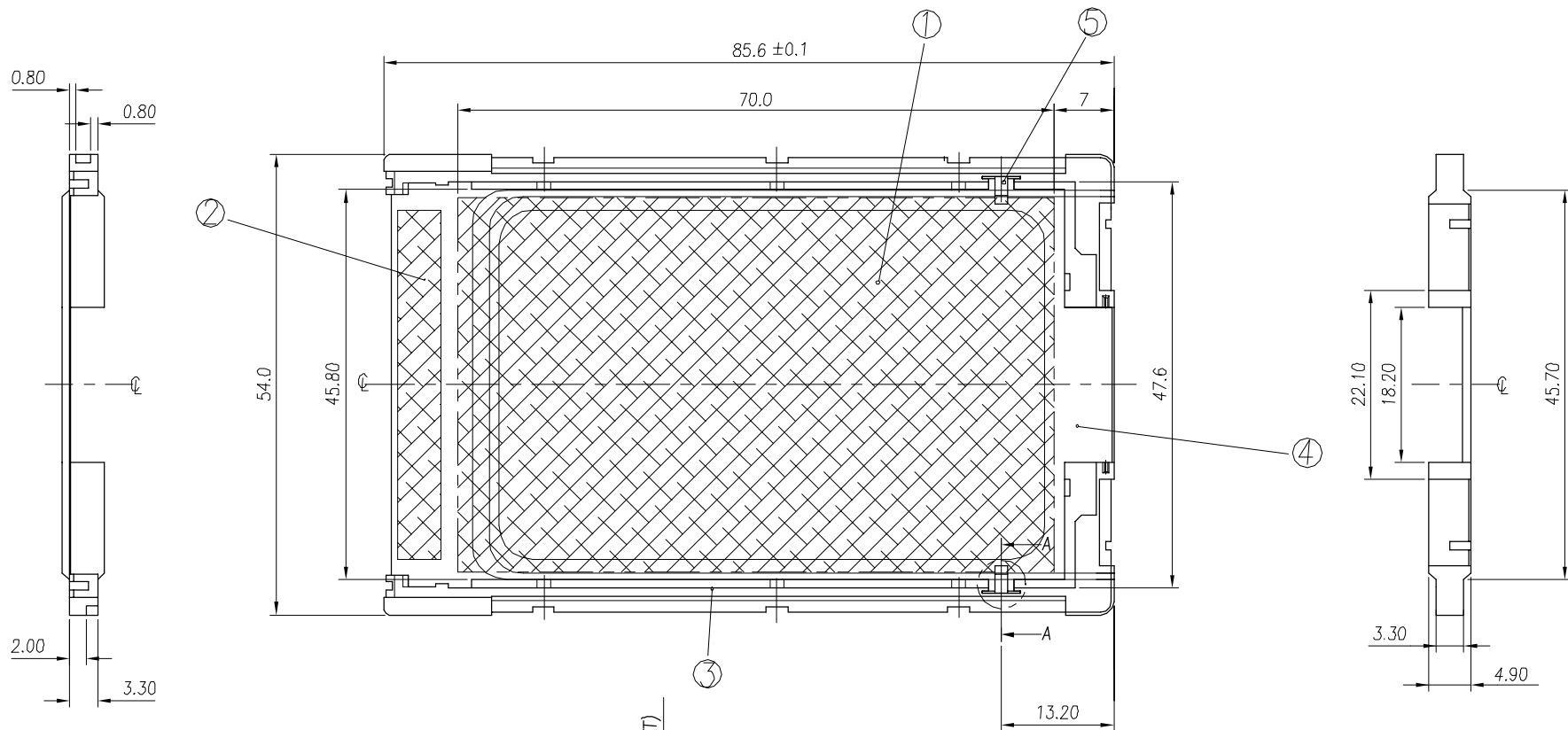
PPOJECTION

照片框

ORDER INFORMATION

PCC-CF04M-15-LF
 SERIES | | | LEADFREE
 | | | 15WAY
 | | | METAL
 | | | 0.4mm OFF SET
 | | | FLAME
 | | | COVER

DESCRIPTION: PCMCIA FRAME KIT 15POS W/CBS ASS'Y TYPE TOP

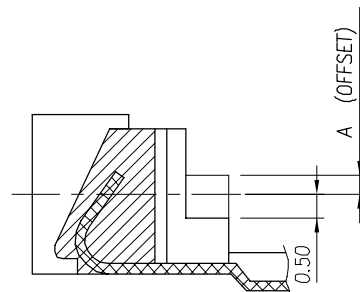


DIM A.	OFFSET
0.40	0.4 OFFSET

NOTE:

1.MATERIAL:

- ① MYLAR
- ② 3M ADHESIVE TAPE FOR 68 PIN CONN.
- ③ FRAME LCP (BLACK UL94V-0)
- ④ STAINLESS STEEL 0.20 ± 0.02 THICK
- ⑤ PHOSPHOR BRONZE T=0.10mm



SECTION A - A
SCALE 10:1

RoHS Compliant

TOLERANCES ARE

MORETHANALL
PCB CONNECTORS
Cable ASSEMBLIES

煜倫股份有限公司

www.morethanall.com

DRAWING BY CY

CHECKED BY GENIUS

UNIT / mm SCALE 1 : 1

DATE

SIZE A4

X. ± 0.50

.X ± 0.25

.XX ± 0.15

.XXX ±

ANG ± 1°

PJECTION

照片框

ORDER INFORMATION

PCC-CF04M-15-LF
SERIES | LEADFREE
| 15WAY
| METAL
| 0.4mm OFF SET
| FLAME
| COVER

DESCRIPTION: PCMCIA FRAME KIT 15POS W/CBS ASS'Y TYPE BOTT