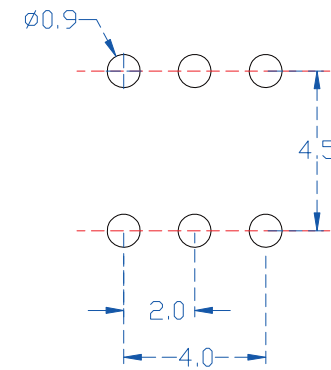
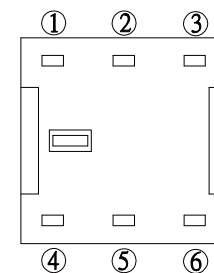


Circuit Diagram



P.C.B LAYOUT TOP VIEW



底座向上示意圖

注:"*"表示關鍵尺寸(6個)

6	SPRING 彈簧	STEEL WIRE	1	TEMPER
5	CASE 底座	NYLON+F.G	1	GREY
4	TERMINAL 端子	BRASS STRIP	6	Ag PLATED OVER NI PLATED
3	COVER 上蓋	POM	1	BLACK
2	CONTACT CLIP 碼片	PBS C5210R-EH	2	Ag CLAD
1	KNOB 膠頭	POM	1	WHITE
NO	PART NAME	MATERIALS	Q'TY	FINISHING

SPECIFICATIONS *NON SHORTING
 Function :2P2T Rating : 0.1A 30V DC
 Contact Resistance : 50mΩ Max 50毫歐以下
 Insulation Resistance : 100MΩ Min 100兆歐以上
 Withstand Voltage: AC 500V 1Min
 Operating Force :150gf ±50gf
 Life Test :10.000 Cycles 15~18 Cycles/Min

RoHS Compliant

TOLERANCES ARE

MORETHANALL
 PCB CONNECTORS
 Cable ASSEMBLIES

煜倫股份有限公司

www.morethanall.com

DRAWING BY CY

CHECKED BY GENIUS

UNIT / mm SCALE 1 : 1

DATE

SIZE A4

X, ±
 .X ±
 .XX ±
 .XXX ±
 ANG ±

PPOJECTION

照片框

ORDER INFORMATION

PBS2X3-D10LK-150-LF

SERIES LEADFREE
 150g
 LOCK TRAVEL
 HIGH 10.0mm
 DIP 180°

DESCRIPTION: VERTICAL PUSH SWITCH