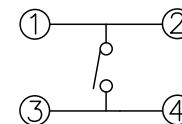
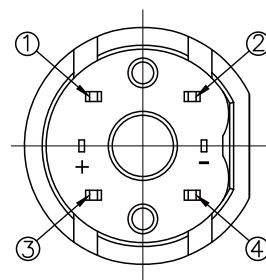
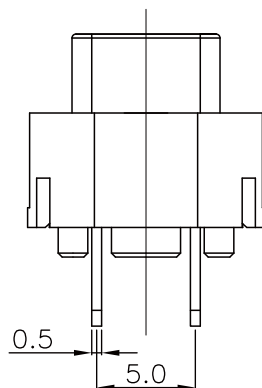
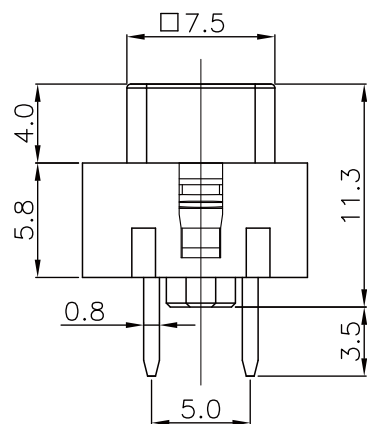
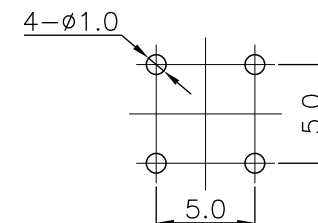


RD	YL	GR	BL	WH	BK
Red	Yellow	Green	Blue	White	Black

CIRCUIT



P.C.B LAYOUT



NO.	PART NAME	MATERIAL	QTY
1	TERMINAL	BRONZE SILVER PLATED	2
2	BASE	PA66+30 %GF	1
3	SPRING	SWP	1
4	CONTACT	C5210 SILVER PLATED	1
5	PLAY SLICE	SUS301 EH	1
6	MAST	PA66+30 %GF	1
7	BUTTON COVER	PC	1

RoHS Compliant

TOLERANCES ARE

MORETHANALL
PCB CONNECTORS
Cable ASSEMBLIES

煜倫股份有限公司

www.morethanall.com

DRAWING BY CY

CHECKED BY GENIUS

UNIT / mm

SCALE 1 : 1

DATE

SIZE A4

X. ± 0.50

.X ± 0.25

.XX ± 0.10

.XXX ±

ANG ±

PPOJECTION

照片框

ORDER INFORMATION

PBS11-D113xx-200-LF

SERIES LEADFREE

200g
RD:RED
YL:YELLOW

DIP 180°

HIGH 11.3mm

DESCRIPTION: