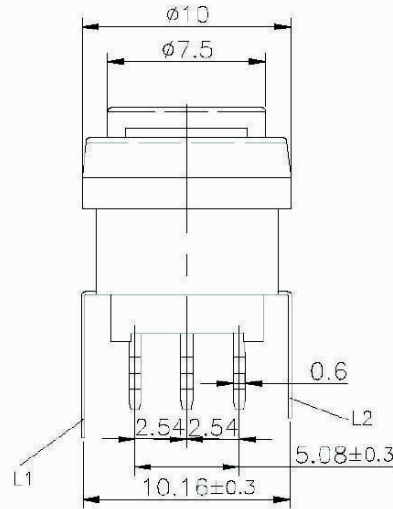
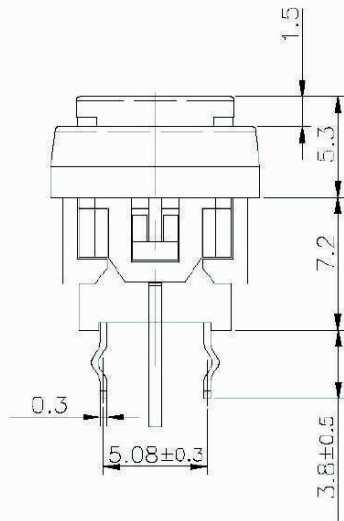
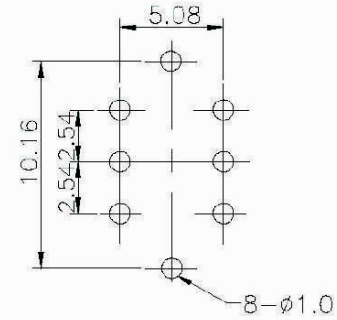


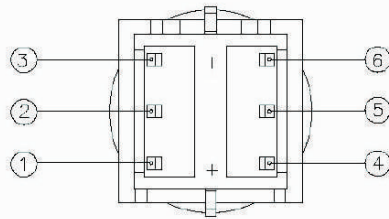
LED COLOR						
1	2	3	4	23	13	12
Red	Yellow	Green	Blue	Yellow Green	Red Green	Red Yellow

P.C.B Layout



Circuit

Type	Switch	Action	Circuit
PB6132AL	Normal ON	Push to lock OFF	
Connecting Terminal	1 - 2 4 - 5	2 - 3 5 - 6	
PB6132BL	Normal ON	Push (ON)	
Connecting Terminal	1 - 2 4 - 5	2 - 3 5 - 6	
LED Circuit	L1 L2		



PBR07L-DMxx-2X03-LF

LEADFREE

RD:RED
YL:YELLOW
GR:GREEN
BL:BLUE
YG:YELLOW/GREEN
RG:RED/GREEN
RY:RED/YELLOW

RoHS Compliant

MORETHANALL
CONNECTORS
ASSEMBLIES

PART NO. PBR07L-DMxx-2X03

DWG NO. PBR07L-DMxx-2X03

FILE NO.

CHECKED BY CY

DRAWING BY

TOLERANCES ARE

.X ± 0.2
.XX ±
.XXX ±
AWG

DESCRIPTION:

焯倫股份有限公司

UNIT / mm

SCALE 1:1

PROJECTION



AREA

REVISIONS

HK

DATE