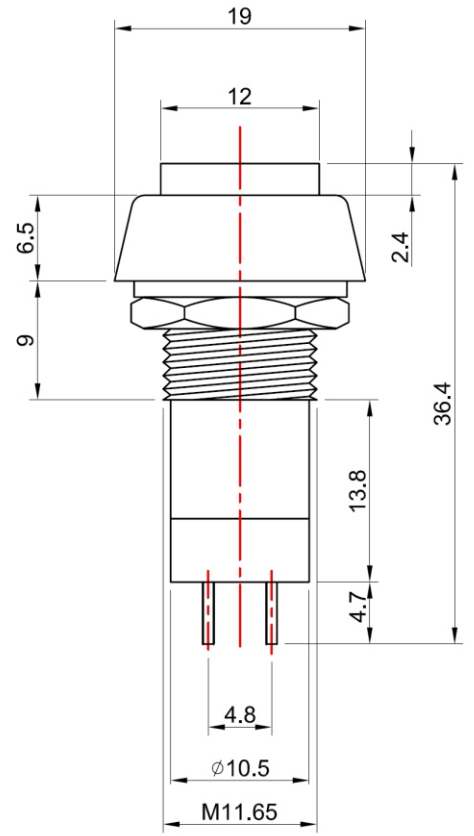


**SPECIFICATION**

Circuit: ON - (OFF)  
 Rating: 3A 125V AC / 250V AC.  
 Contact resistance: 30mΩ Max.  
 Insulation resistance: 500V DC 100MΩ Min.  
 Dielectric strength: 1,000V AC 1 minute.  
 Electrical life: 5,000 Cycles Min.  
 Mechanical life: 10,000 Cycles Min.  
 Terminal material: Copper, alloy, (silver or gold), plated  
 Push force: >0.3kg  
 Tolerance: .XX=±0.2mm, .X=±0.3mm.



**PB11-SPAx-02-LF**  
**LEADFREE**

BUTTON COLOR	
RD	Red
YL	Yellow
OR	Orange
BK	Black
GR	Green

**RoHS Compliant**



PART NO. **PB11-SPAx-02**

DWG NO. **PB11-SPAx-02**

FILE NO.

CHECKED BY CY

DRAWING BY

TOLERANCES ARE

.X ± 0.2  
 .XX ±  
 .XXX ±  
 AWG

DESCRIP TION:

煜倫股份有限公司

UNIT / mm

SCALE 1:1

PROJECTION

AREA

REVISIONS

HK

DATE