

1 2 3 4 5 6 7 8 9 0

J

I

H

G

F

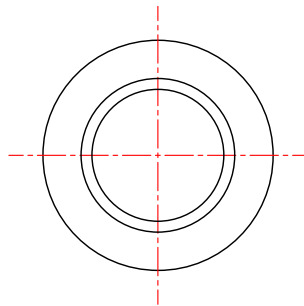
E

D

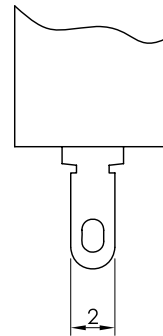
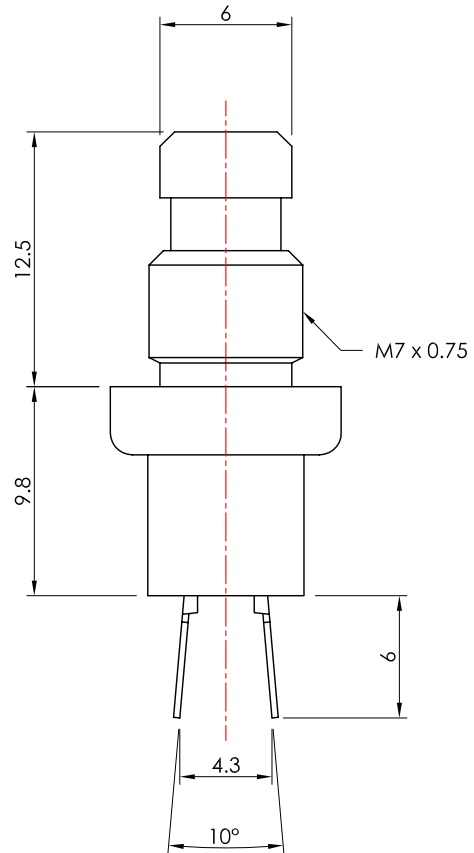
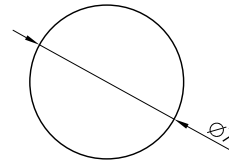
C

B

A



MOUNTING HOLE



SPECIFICATION

Rating: 1A 125V AC/0.5A 250V AC.
Circuit: 2P (SPST).
Function: ON-(OFF).
Contact resistance: <1A 2.5V DC 100mΩ.
Insulation resistance: >500V DC 100MΩ.
Voltage breakdown: 1,000V AC 1 minute.
Mtg. hole dial mm: Ø7mm.
Mtg. centers mm: In case panel thick 1~2 mm.
Soldering temperature: 230°C Max for 3 Sec.

PB07-SPBxx-02-LF
 LEADFREE
 COLOR: BK:BLACK
 RD:RED
 WH:WHITE

RoHS Compliant



PART NO. PB07-SPBxx-02

DWG NO. PB07-SPBxx-02

CHECKED BY CY

TOLERANCES ARE

DESCRIP TION:

Pushbutton Switch

煜倫股份有限公司

FILE NO.

DRAWING BY

.X ± 0.2
.XX ± 0.1
.XXX ±
AWG

AREA

REVISIONS

HK

DATE

UNIT / mm

SCALE 1:1

PROJECTION

