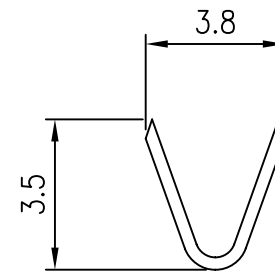
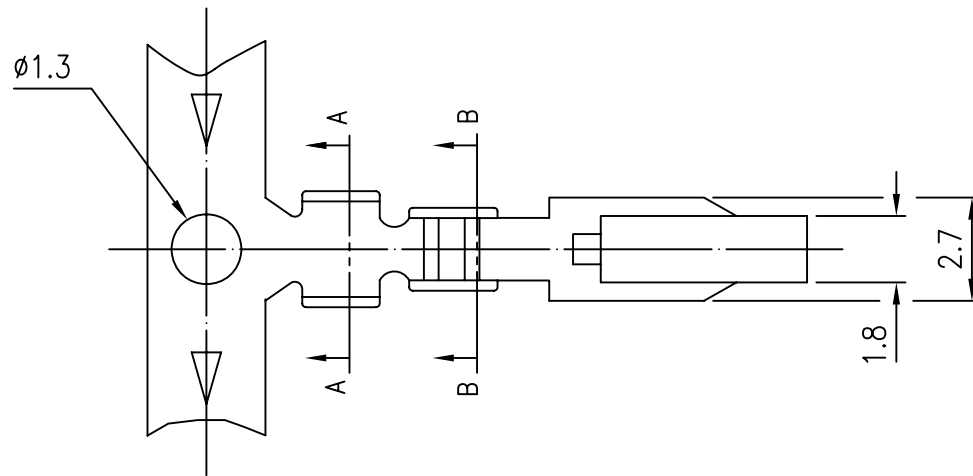


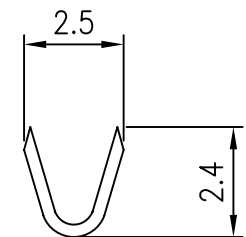
■ **TERMINAL**

- Part No: KK-T-18
- Material: Brass
- Thickness: 0.25mm
- Plating: Tin plated 60u"
- Wire Range: Suitable for AWG#18~26
- Insulation O.D: 2.5mm (max)
- Q'TY: 6,000 pcs/roll

PB-T-18-LF
LEADFREE
RoHS Compliant



A-A SECTION



B-B SECTION

MORETHANALL
CONNECTORS
ASSEMBLIES

PART NO. PB-T-18

DWG NO. PB-T-18

FILE NO.

APPROVED BY CY

DRAWING BY

TOLERANCES ARE

.X
.XX
.XXX
AWG

DESCRIPTION:

3.96mm Pitch Terminal

煜倫股份有限公司

UNIT / mm

SCALE 1:1

PROJECTION



AREA

REVISIONS

HK

DATE