

MATERIAL

HOUSING : THERMOPLASTIC UL94V-0

CONTACT : COPPER ALLOYS

SPECIFICATION

CURRENT: 1A

OPERATING TEMPERATURE: -55°C TO +105°C

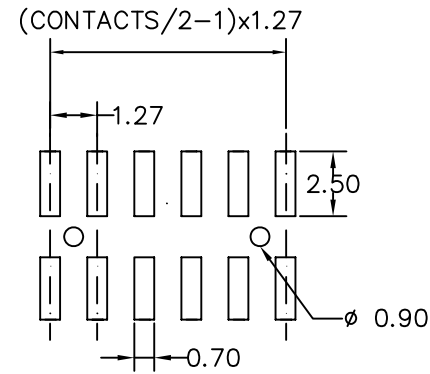
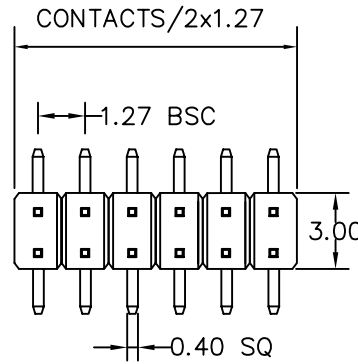
CONTACT RESISTANCE : 20 MILLIOHMS MAX

INSULATION RESISTANCE : 5000 MEGAOHMS MIN

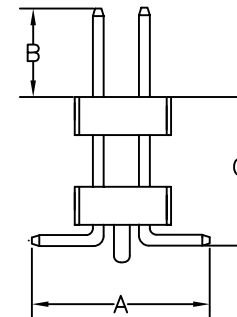
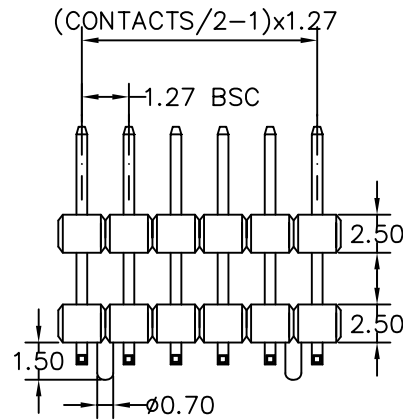
DIELECTRIC STRENGTH : 1000 VAC MIN

DURABILITY : 100 CYCLES

RETENTION FORCE : 700g MIN



RECOMMENDED P.C.B LAYOUT



A: 5.50 mm B: 2.70 mm C: 10.00 mm

CONTACTS	
2X3	2X22
2X4	2X23
2X5	2X24
2X6	2X25
2X7	2X26
2X8	2X27
2X9	2X28
2X10	2X29
2X11	2X30
2X12	2X31
2X13	2X32
2X14	2X33
2X15	2X34
2X16	2X35
2X17	2X36
2X18	2X37
2X19	2X38
2X20	2X39
2X21	2X40

RoHS Compliant

TOLERANCES ARE

MORETHANALL
PCB CONNECTORS
Cable ASSEMBLIES

DRAWING BY CY

CHECKED BY GENIUS

UNIT / mm

SCALE 1:1

DATE

SIZE A4

PPOJECTION

X. ±
.X ±
.XX ±
.XXX ±
ANG ±

照片框

ORDER INFORMATION

PAS-V100P27-2Xxx-LF
SERIES | | | LEADFREE
2X02:04 WAY
2X50:100 WAY
CONTACT 2.7mm
180°SMT | | | POST
HIGH 10.0mm

煜倫股份有限公司

www.morethanall.com

DESCRIPTION: