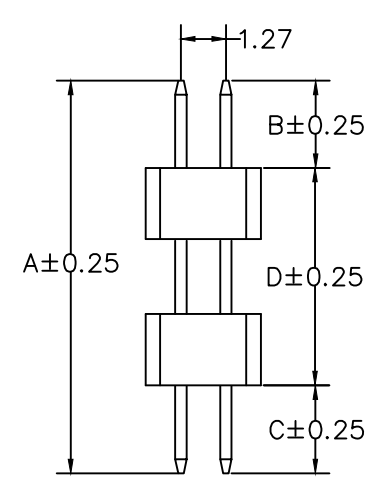
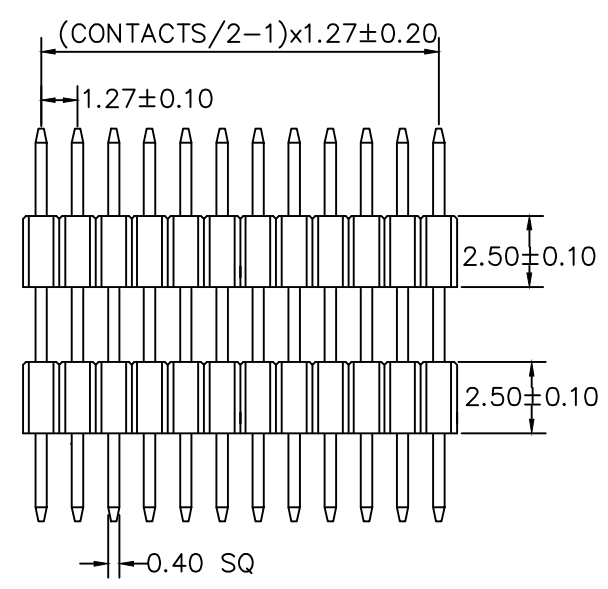


RECOMMENDED P.C.B LAYOUT

MATERIAL
 HOUSING : THERMOPLASTIC UL94V-0
 CONTACT : COPPER ALLOYS

SPECIFICATION
 CURRENT: 1A
 OPERATING TEMPERATURE: -55°C TO +105°C
 CONTACT RESISTANCE : 20 MILLIOHMS MAX
 INSULATION RESISTANCE : 5000 MEGAOHMS MIN
 DIELECTRIC STRENGTH : 1000 VAC MINON



A: 17.40 mm B: 4.00 mm C: 1.90 mm D: 11.50 mm

PAS-D1744019-2Xxx-LF
 LEADFREE
 2X02:04WAY
 2X50:100WAY

RoHS Compliant

CONTACTS	2X26
2X2	2X27
2X3	2X28
2X4	2X29
2X5	2X30
2X6	2X31
2X7	2X32
2X8	2X33
2X9	2X34
2X10	2X35
2X11	2X36
2X12	2X37
2X13	2X38
2X14	2X39
2X15	2X40
2X16	2X41
2X17	2X42
2X18	2X43
2X19	2X44
2X20	2X45
2X21	2X46
2X22	2X47
2X23	2X48
2X24	2X49
2X25	2X50

MORETHANALL
 CONNECTORS
 ASSEMBLIES

煜倫股份有限公司

PART NO. PAS-D1744019-2Xxx		CHECKED BY CY
DWG NO. PAS-D1744019-2Xxx		DRAWING BY
FILE NO.	UNIT / mm	SCALE 1:1
PROJECTION		

TOLERANCES ARE	DESCRIPTION:			
X. ±	AREA	REVISIONS	DATE	
.X ± 0.38				
.XX ± 0.25				
.XXX ±				
ANG				