

1 2 3 4 5 6 7 8 9 0

J

I

H

G

F

E

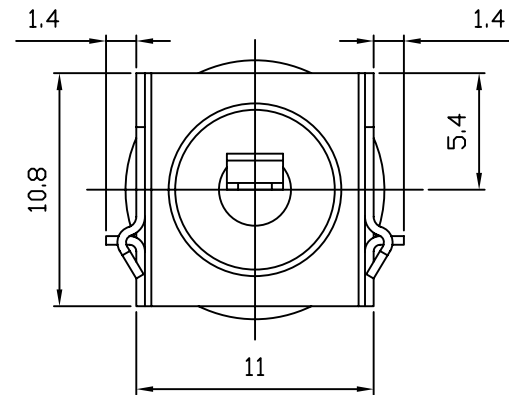
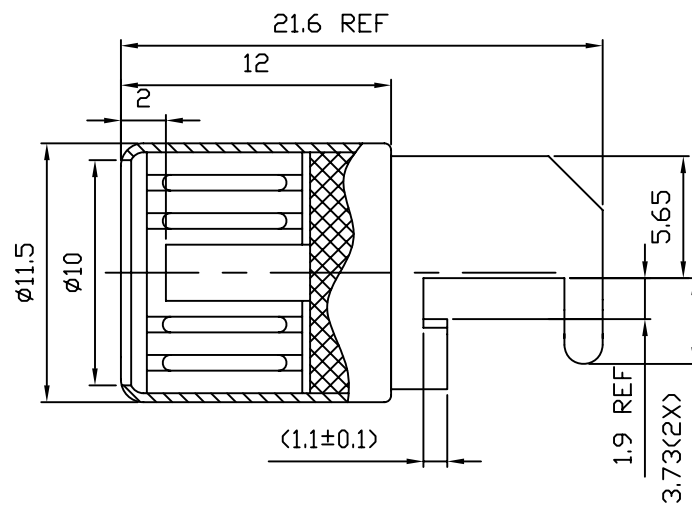
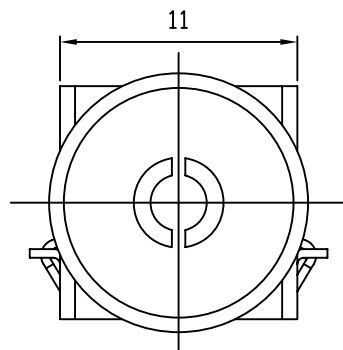
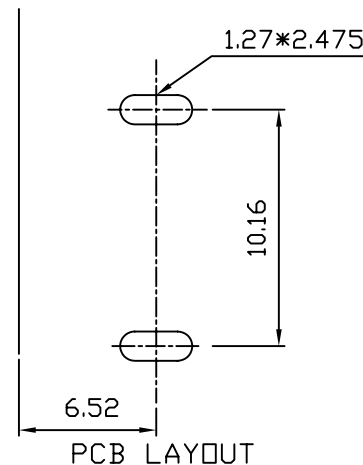
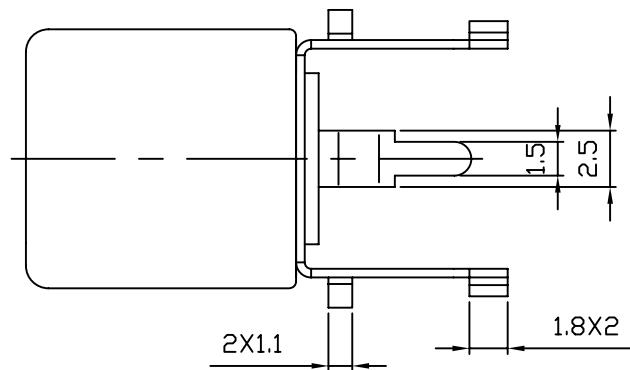
D

C

B

A

| 5  | 絕緣墊圈        | 玻璃纖維層壓板  |        | 1   |
|----|-------------|----------|--------|-----|
| 4  | 彈簧圈         | 錫青銅帶     | Sn     | 1   |
| 3  | 外殼          | 黃銅帶      | Sn     | 1   |
| 2  | 插針          | 錫青銅帶     | Sn     | 1   |
| 1  | 外導體         | 黃銅帶      | Sn     | 1   |
| NO | DESCRIPTION | MATERIAL | FINISH | QTY |



**MORETHANALL**  
CONNECTORS  
ASSEMBLIES

PART NO. PAL-JRLP-75

DWG NO. PAL-JRLP-75

FILE NO.

UNIT / mm

SCALE 1:1

CHECKED BY CY

DRAWING BY

PROJECTION

UNLESS OTHERWISE SPECIFIED TOLERANCES

|           |      |
|-----------|------|
| 0.5-5     | ±0.2 |
| 5-30      | ±0.4 |
| 30-120    | ±0.6 |
| 120-315   | ±1   |
| 315-1000  | ±1.6 |
| 1000-2000 | ±2.4 |

|              |                            |           |    |      |
|--------------|----------------------------|-----------|----|------|
| DESCRIPTION: | PAL FEMALE ANGLE P.C MOUNT |           |    |      |
|              | AREA                       | REVISIONS | HK | DATE |

煜倫股份有限公司