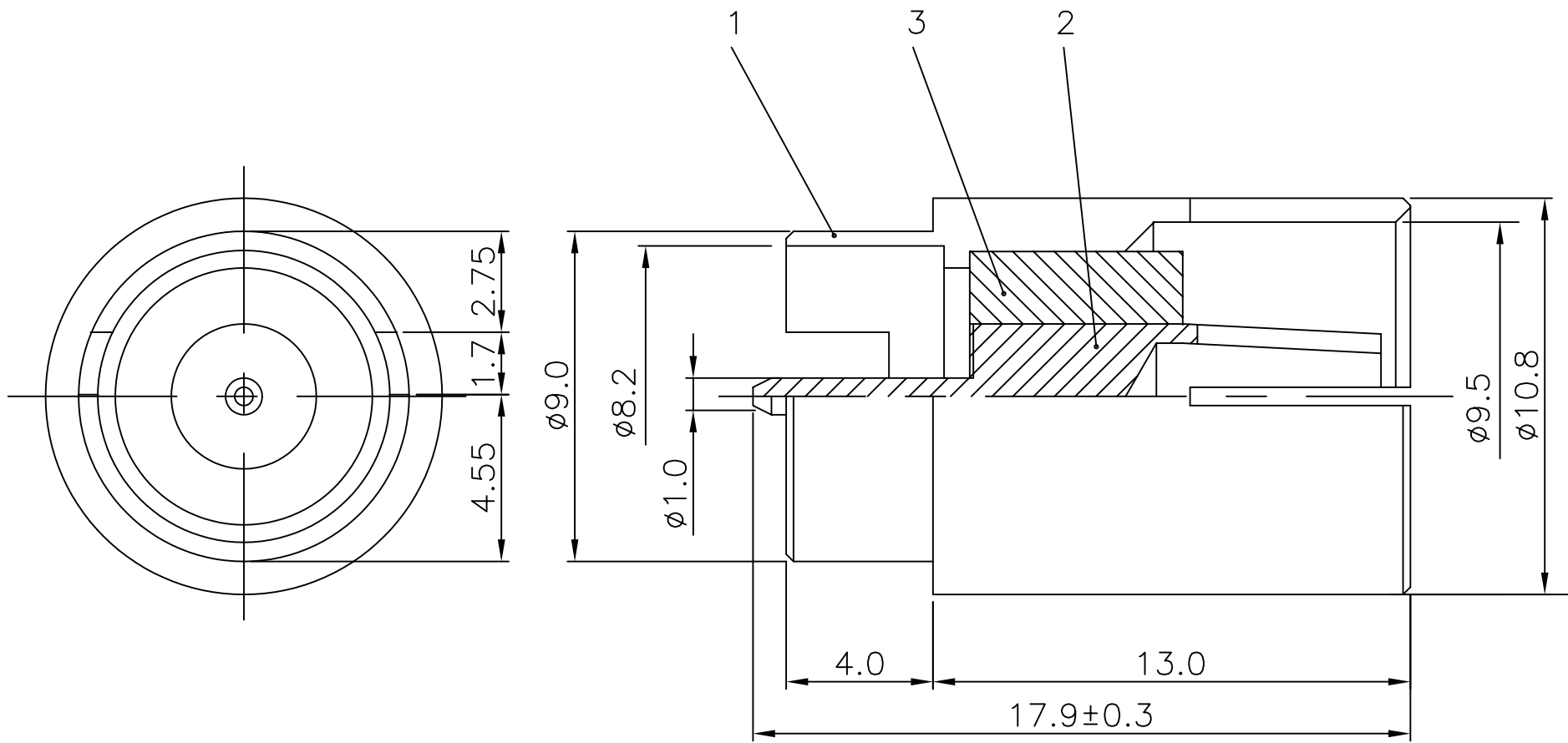


1 2 3 4 5 6 7 8 9 0

J  
I  
H  
G  
F  
E  
D  
C  
B  
A



3	INSULATOR	DELRIN	WHITE	1
2	PIN	BRASS	SILVER	1
1	BODY	BRASS	SILVER	1
NO	DESCRIPTION	MATERIAL	FINISH	QTY

PAL-JE-75-LF  
LEADFREE  
RoHS Compliant



PART NO. PAL-JE-75	
DWG NO. PAL-JE-75	
FILE NO.	CHECKED BY CY
UNIT / mm	DRAWING BY
SCALE 1:1	PROJECTION

UNLESS OTHERWISE SPECIFIED TOLERANCES
0.5-5 =±0.2
5-30 =±0.4
30-120 =±0.6
120-315 =±1
315-1000 =±1.6
1000-2000 =±2.4

DESCRIPTION:	PAL FEMALE CONNECTOR			
AREA	REVISIONS	HK	DATE	

煜倫股份有限公司