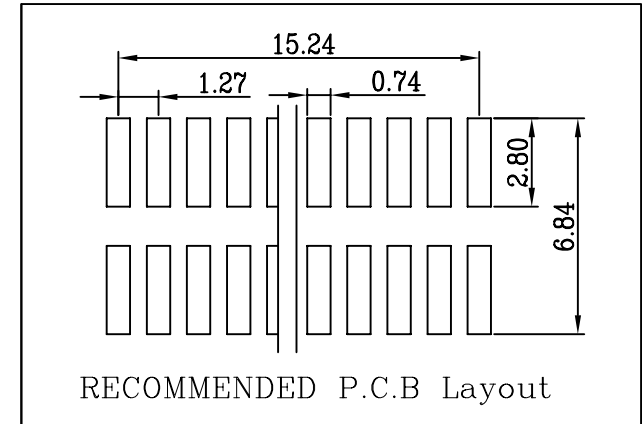
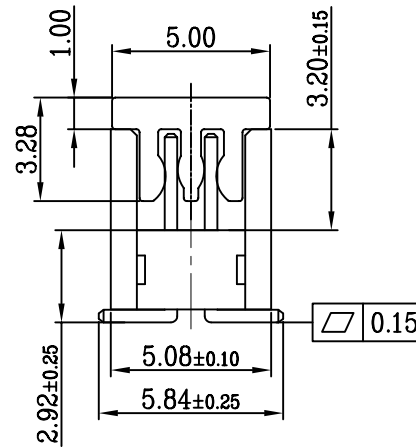
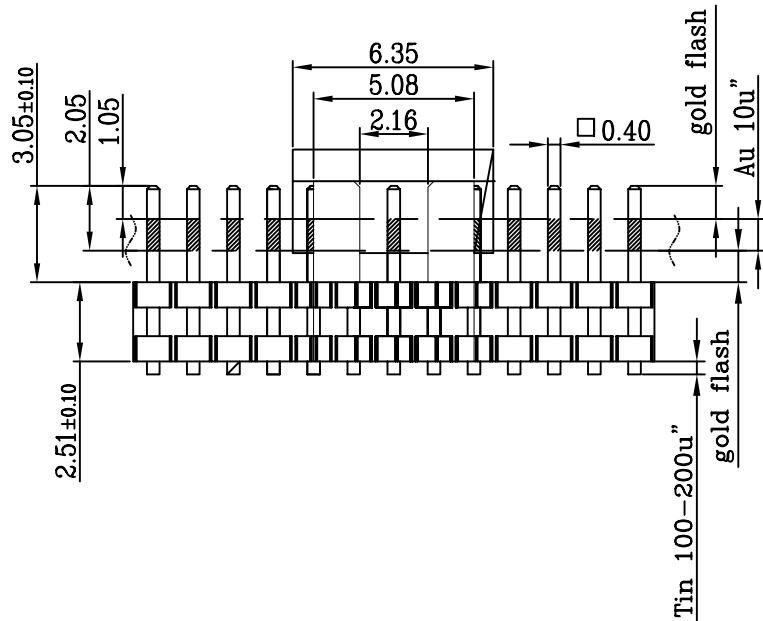
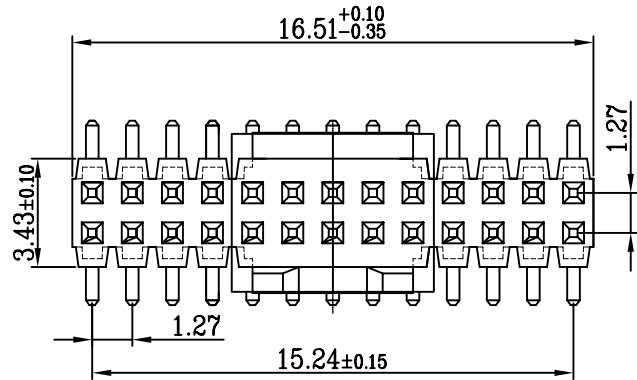


Pin-Header-Strips-Double row for Surface Mount
Technic and High-Temperature Body 1.27mm pitch

Technical data :

Insulator body	High Temperature Thermoplastic, UL 94V-0
Contact material:	0.40mm x 0.40mm copper alloy
plating:	10u" Au on the contact area, 100-200u" Tin on the tail area over 30-80u" Ni
Current Rating :	1 Amp
Insulator resistance :	500 Megohms min.
Dielectric withstanding :	AC 500 V for 1 minute
Temperature Rating:	-40°C to +105°C.
Max. processing Temp:	230°C for 30-60 seconds. 260°C for 10 seconds.
Packing:	with cap in Tape&Reel RoHS Compliant



RoHS Compliant

	PART NO. PAK-V29XS10CR-2X13		TOLERANCES ARE X. ± 0.30 .X ± 0.25 .XX ± 0.15 .XXX ± 0.05 ANG	DESCRIPTION:		
	DWG NO. PAK-V29XS10CR-2X13					
焯倫股份有限公司	FILE NO.		DRAWING BY	AREA	REVISIONS	DATE
	UNIT / mm	SCALE 1:1	PROJECTION			