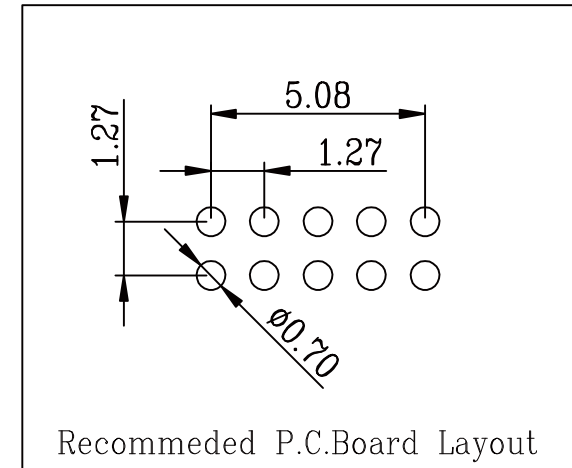
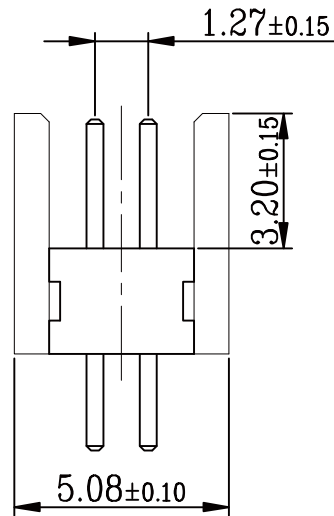
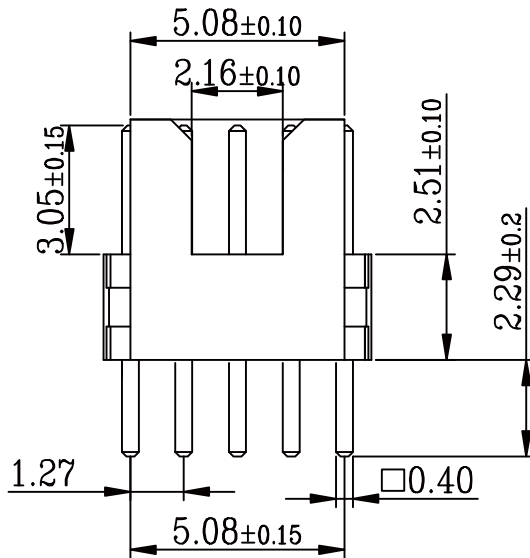


Pin-Header-Strips-Double row for Surface Mount
Technic and High-Temperature Body 1.27mm pitch

Technical data :

Insulator Material : High Temperature Thermoplastic,UL 94V-0
 Contact: 0.40mm x 0.40mm
 Contact Material: copper alloy
 plating: 10u" Au plated on contact area
 Tin plated on solder area over nickel
 Current Rating : 1 Amp
 Insulator resistance : 500 Megohms min.
 Dielectric withstanding : AC 500 V for 1 minute
 Temperature Rating: -40°C to +105°C.
 Max. processing Temp: 230°C for 30-60 seconds.
 260°C for 10 seconds.
 Mates with : S,C Type mates with 605,606,&134.
 J,K Type mates With 134
 Packing: Without Cap in Tube



RoHS Compliant

TOLERANCES ARE

MORETHANALL
PCB CONNECTORS
Cable ASSEMBLIES

DRAWING BY CY

X. ± 0.30

CHECKED BY GENIUS

.X ± 0.25

UNIT / mm

SCALE 1 : 1

.XX ± 0.15

.XXX ± 0.05

DATE

ANG ±

照片框

ORDER INFORMATION

PAK-D25-2X05-LF
 SERIES | LEADFREE
 10 WAY
 HIGH 2.51mm
 DIP 180°

煜倫股份有限公司

www.morethanall.com

SIZE A4

PJECTION

DESCRIPTION: