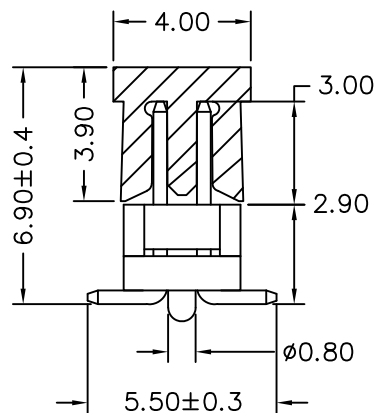


Recommended P.C.B Layout



MATERIAL

Contact Pin : Brass
Insulator: NY6T UL94-V0

SPECIFICATION

Current Rate : 1 AMP
Insulation Resistance : 5000MΩMin. at DC 500V
Contact Resistance : 20mΩMax. at DC 100mA
Dielectric Voltage : AC 500V for one minute
Operating Temperature: -40°C to +105°C

POLES	DIM D	DIM E	POLES	DIM D	DIM E
			26	31.75	32.82
2	1.27	2.34	27	33.02	34.09
3	2.54	3.61	28	34.29	35.36
4	3.81	4.88	29	35.56	36.63
5	5.08	6.15	30	36.83	37.90
6	6.35	7.42	31	38.10	39.17
7	7.62	8.69	32	39.37	40.44
8	8.89	9.96	33	40.64	41.71
9	10.16	11.23	34	41.91	42.98
10	11.43	12.50	35	43.18	44.25
11	12.70	13.77	36	44.45	45.52
12	13.97	15.04	37	45.72	46.79
13	15.24	16.31	38	46.99	48.06
14	16.51	17.58	39	48.26	49.33
15	17.78	18.85	40	49.53	50.60
16	19.05	20.12	41	50.80	51.87
17	20.32	21.39	42	52.07	53.14
18	21.59	22.66	43	53.34	54.41
19	22.86	23.93	44	54.61	55.68
20	24.13	25.20	45	55.88	56.95
21	25.40	26.47	46	57.15	58.22
22	26.67	27.74	47	58.42	59.49
23	27.94	29.01	48	59.69	60.76
24	29.21	30.28	49	60.96	62.03
25	30.48	31.55	50	62.23	63.50

RoHS Compliant

TOLERANCES ARE



煜倫股份有限公司

www.morethanall.com

DRAWING BY CY

CHECKED BY GENIUS

UNIT / mm SCALE 1 : 1

DATE

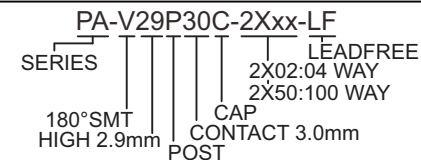
SIZE A4

X, ±
.X ± 0.30
.XX ± 0.20
.XXX ±
ANG ± 3°

P PROJECTION

照片框

ORDER INFORMATION



DESCRIPTION: PIN HEADER 1.27*1.27mm SMT S/T TYPE, DUAL ROWS CAP+Tube