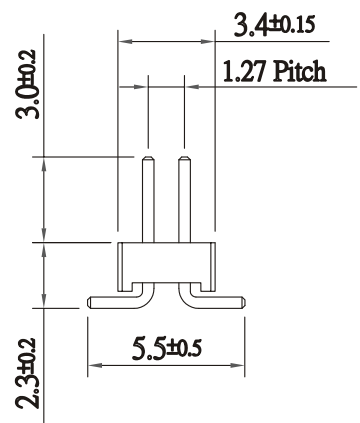
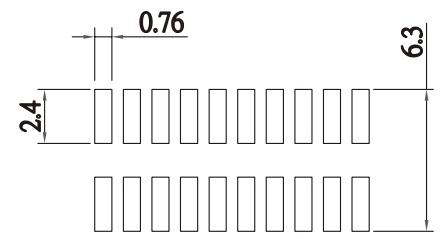


$A = 1.27 * (\text{NO of Positions} - 1)$
 $B = A + 1.27 \pm 0.3$



Conteract:
 Contact: Brass.
 Insuiator: Nylon 6T.
 Finish: Gold flash plated over nickel.



P.C. Board Layout



煜倫有限公司

PART NO. PA-V23X-2Xxx		CHECKED BY CY	TOLERANCES ARE .X ± .XX ± .XXX ± AWG	DESCRIP TION: 1.27X1.27 PIN HEADER SMT DUAL ROW (1.7t/C=3.0)			
DWG NO. PA-V23X-2Xxx				DRAWING BY	AREA	REVISIONS	HK
FILE NO.		PROJECTION					
UNIT / mm	SCALE 1:1						