

NOTES

1. APPLICABLE WIRE RANGE: AWG #18~AWG #26
2. INSULATION O.D.: $\varnothing 2.30\text{mm}$ (Max.)

I	CONTACT	PHOSPHOR BRONZE, t=0.25mm	(1) TIN PLATED OVER NICKEL
INDEX	PART NAME	MATERIAL	FINISH

RoHS Compliant

TOLERANCES ARE

MORETHANALL
PCB CONNECTORS
Cable ASSEMBLIES

煜倫股份有限公司

www.morethanall.com

DRAWING BY CY

CHECKED BY GENIUS

UNIT / mm

SCALE 1:1

DATE

SIZE A4

X, ±
.X ± 0.35
.XX ± 0.25
.XXX ±
ANG ± 5°

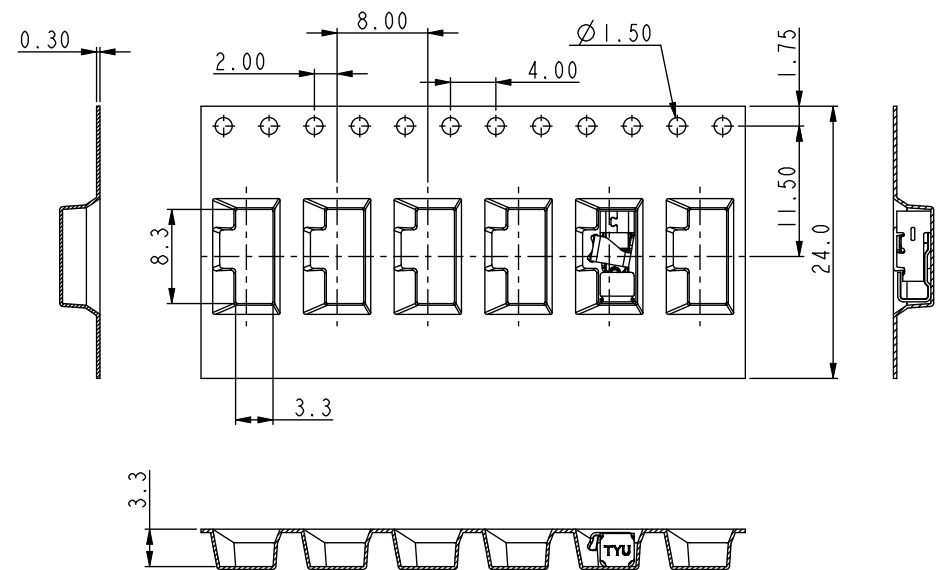
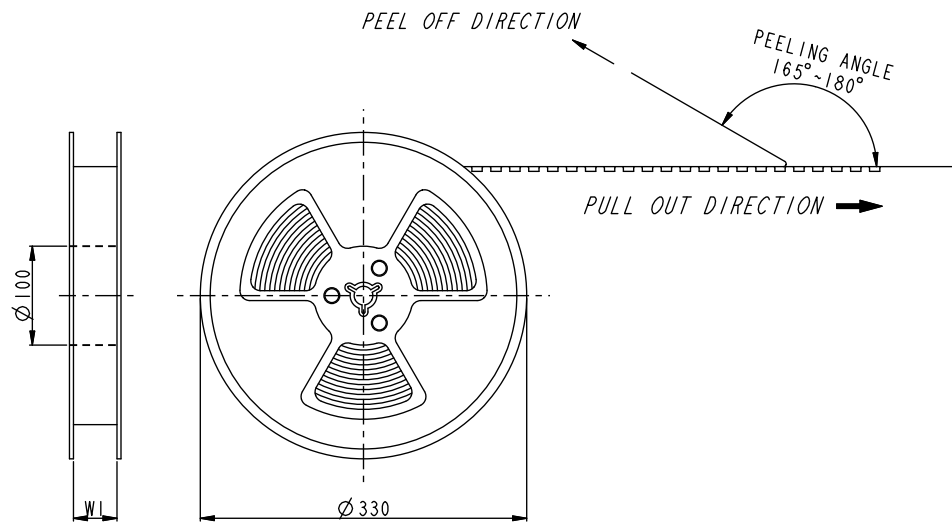
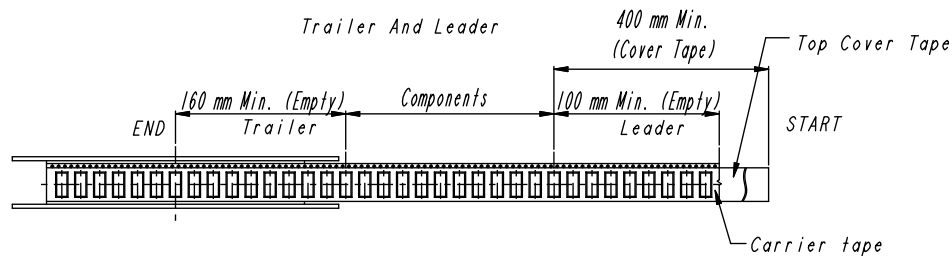
PJECTION

照片框

ORDER INFORMATION

OGT-WXR-803030-LF
SERIES | | | | LEADFREE
HIGH 3.0mm
WIDTH 3.0mm
LONG 8.0mm
90°SMT REEL NON POST

DESCRIPTION: WIRE TO BOARD, POKE-IN CONTACT SIZE 3.0mm, RIGHT ANGLE, SMT TYPE



RoHS Compliant

TOLERANCES ARE

MORETHANALL
PCB CONNECTORS
Cable ASSEMBLIES

DRAWING BY CY

X, ±

CHECKED BY GENIUS

.X ± 0.35

UNIT / mm

SCALE 1 : 1

.XX ± 0.25

DATE

.XXX ±

ANG ± 5°

煜倫股份有限公司

www.morethanall.com

SIZE A4

P PROJECTION

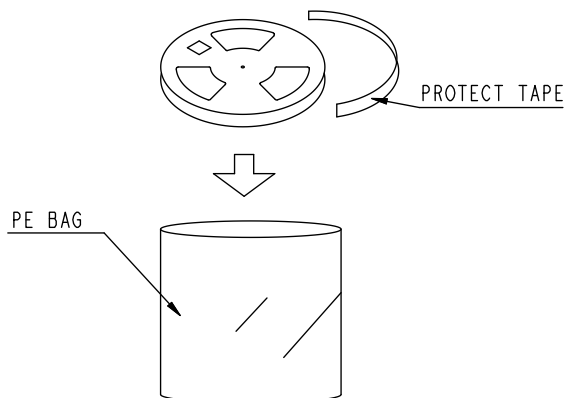
照片框

ORDER INFORMATION

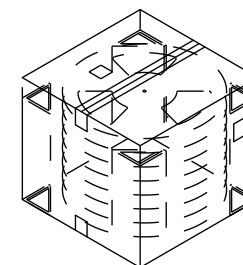
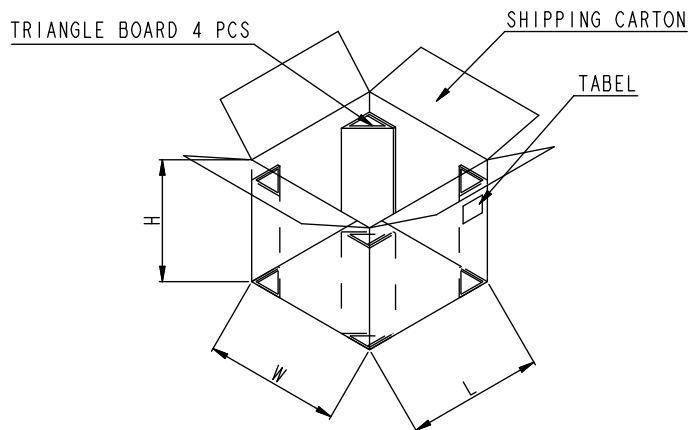
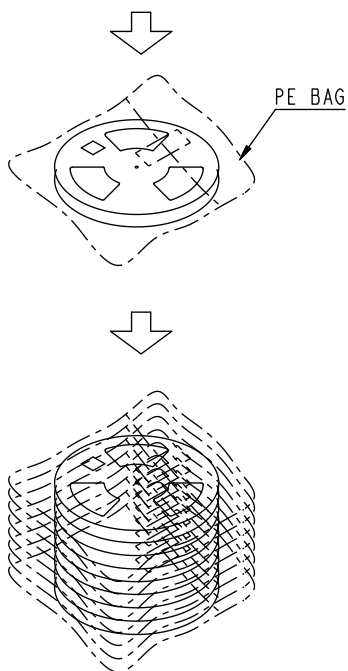
OGT-WXR-803030-LF

SERIES | | | | LEADFREE
HIGH 3.0mm
WIDTH 3.0mm
LONG 8.0mm
90°SMT REEL
NON POST

DESCRIPTION: WIRE TO BOARD, POKE-IN CONTACT SIZE 3.0mm, RIGHT ANGLE, SMT TYPE



PIN, Q'TY/RE	REEL DIM.(mm)	PIN, RE/BC, PCS/BC	CARTON DIM.(mm)
2400 PCS/RE	∅ 330*(24.0+0.5)	10 RE, 24,000 PCS/BC	350*350*340



RoHS Compliant

TOLERANCES ARE

MORETHANALL
PCB CONNECTORS
Cable ASSEMBLIES

DRAWING BY CY

CHECKED BY GENIUS

UNIT / mm

SCALE 1:1

DATE

SIZE A4

X, ±
.X ± 0.35
.XX ± 0.25
.XXX ±
ANG ± 5°

P PROJECTION

照片框

ORDER INFORMATION

OGT-WXR-803030-LF
SERIES | | | | LEADFREE
HIGH 3.0mm
WIDTH 3.0mm
LONG 8.0mm
90°SMT REEL NON POST

煜倫股份有限公司

www.morethanall.com

DESCRIPTION: WIRE TO BOARD, POKE-IN CONTACT SIZE 3.0mm, RIGHT ANGLE, SMT TYPE