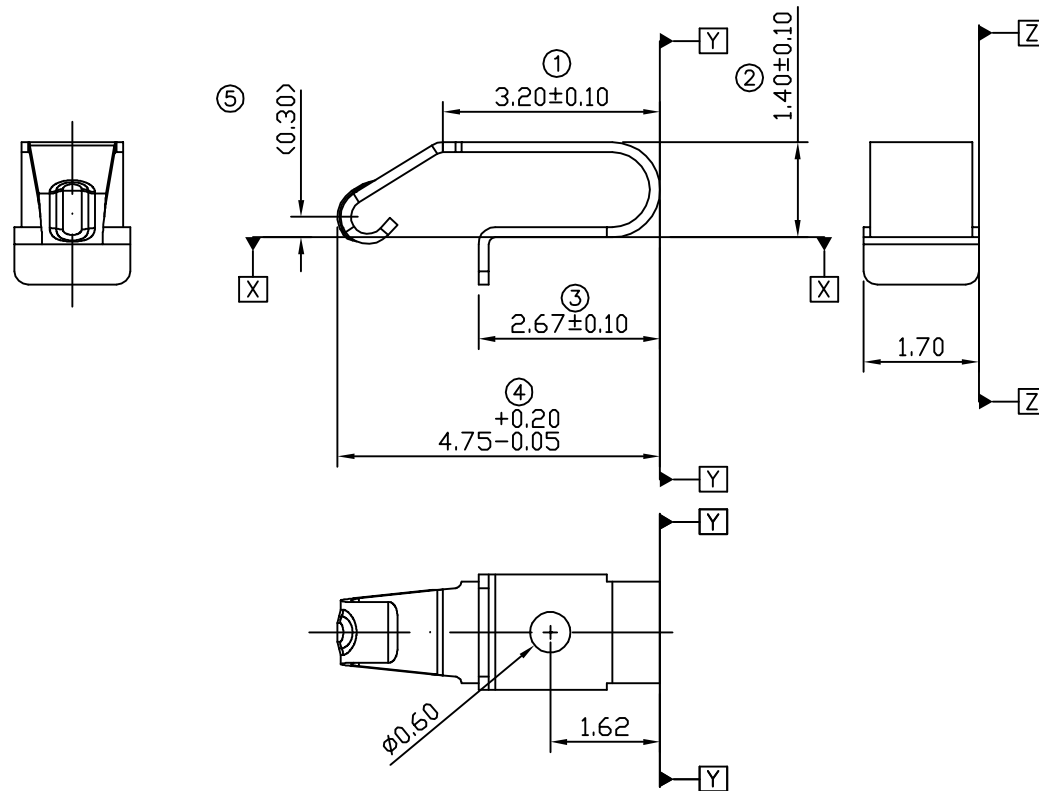


PCB Recommend Layout Pattern



Note:

- 1. Material: NKC286
- 2. Thickness: 0.15mm
- 3. Electroplate: Au >1u"

RoHS Compliant

TOLERANCES ARE

MORETHANALL
PCB CONNECTORS
Cable ASSEMBLIES

DRAWING BY CY

CHECKED BY GENIUS

UNIT / mm SCALE 1 : 1

DATE

SIZE A4

X, ±
.X ±
.XX ±
.XXX ±
ANG ±

P PROJECTION

照片框

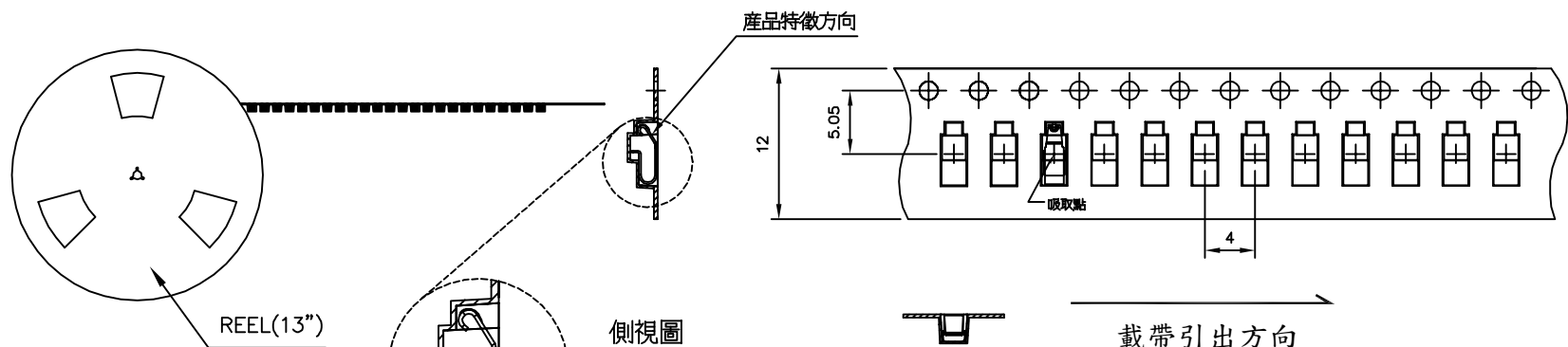
ORDER INFORMATION

OGT-DVXR-471714-LF
SERIES | | | | | LEADFREE
HIGH 1.4mm
WIDTH 1.7mm
LONG 4.75
DIP 180° REEL
180°SMT NON POST

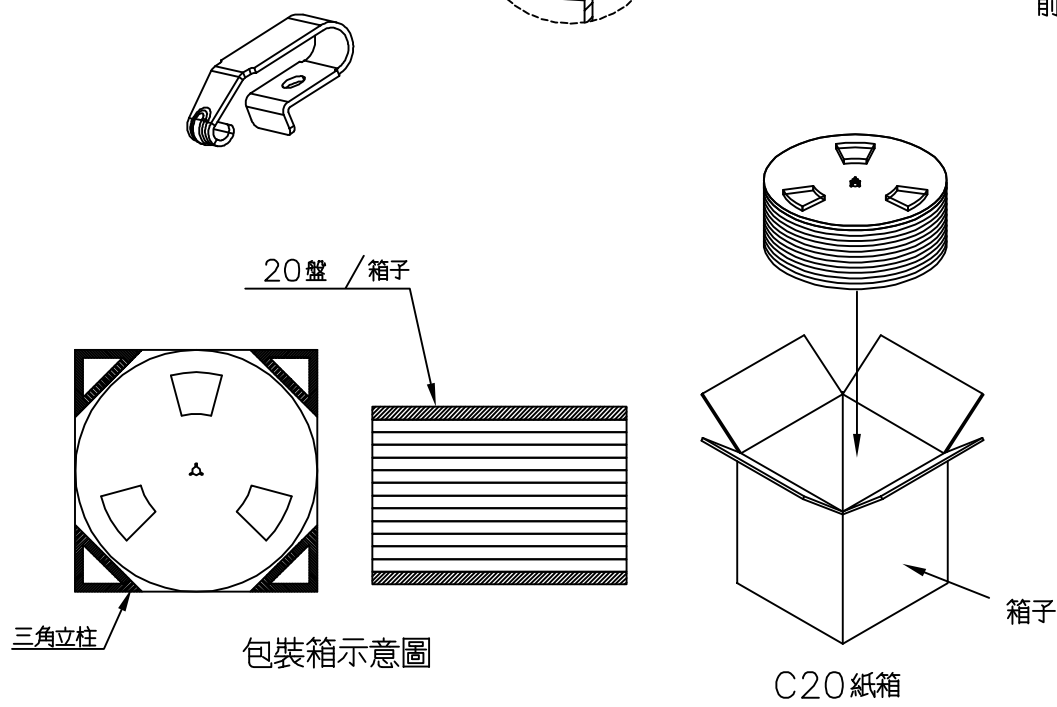
煜倫股份有限公司

www.morethanall.com

DESCRIPTION:

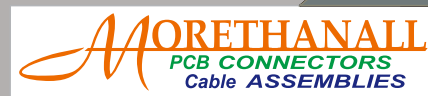


包裝規範資訊：
 載帶料號：HP-27T
 PS規格：W
 包裝規格：一盤6900PCS 前後空30格
 REEL：13" X 12 mm
 自黏 COVER：9.3 mm
 其他注意事項：如未滿箱時則加放氣泡布



RoHS Compliant

TOLERANCES ARE



煜倫股份有限公司

www.morethanall.com

DRAWING BY CY

CHECKED BY GENIUS

UNIT / mm SCALE 1 : 1

DATE

SIZE A4

X. ±
 .X ±
 .XX ±
 .XXX ±
 ANG ±

PJECTION

照片框

ORDER INFORMATION

OGT-DVXR-471714-LF
 SERIES LEADFREE
 HIGH 1.4mm
 WIDTH 1.7mm
 LONG 4.75
 DIP 180° REEL
 180°SMT NON POST

DESCRIPTION: