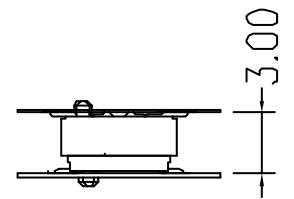
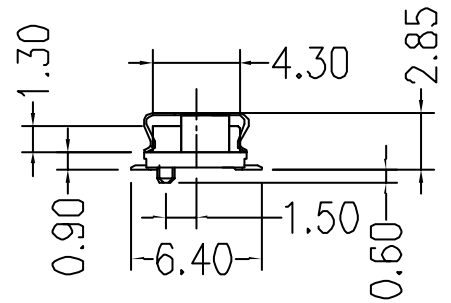


SPECIFICATIONS

Current Rating: 0.3 Amps
 Insulator resistance: 100 Megohms min.
 Contacts resistance: 60 m ohms max.
 Dielectric withstanding: AC 500V
 Operating Temperature: -40°~+85°C
 Contact Material: Phosphor Bronze
 Insulator Material: High Temperature Thermoplastic, UL 94V-0

Finish: Gold plated
 ◎Standard: Gold flash all over



Recommended PCB Layout
 (PCB TOLERANCE ±0.05)



PART NO. **NPH-P09PC-xxx**

DWG NO. **NPH-P09PC-xxx**

FILE NO.

UNIT / mm

SCALE 1:1

CHECKED BY CY

DRAWING BY

PROJECTION

TOLERANCES ARE

.X ±
 .XX ±
 .XXX ±
 AWG

DESCRIP TION:					
AREA	REVISIONS	HK	DATE		

煜倫有限公司