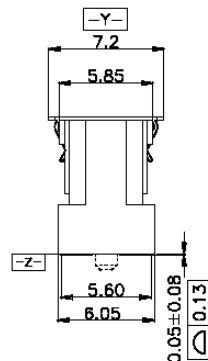
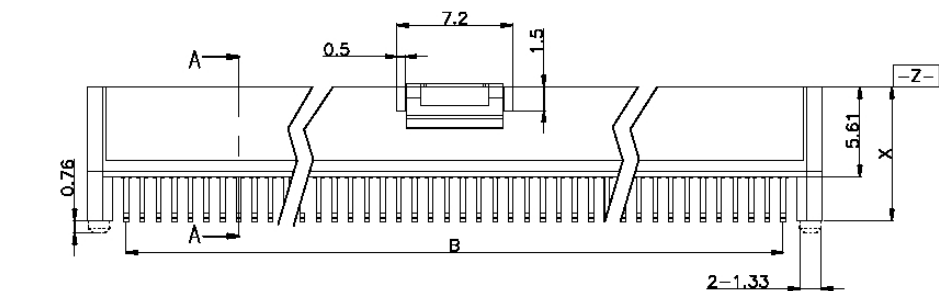


Material:

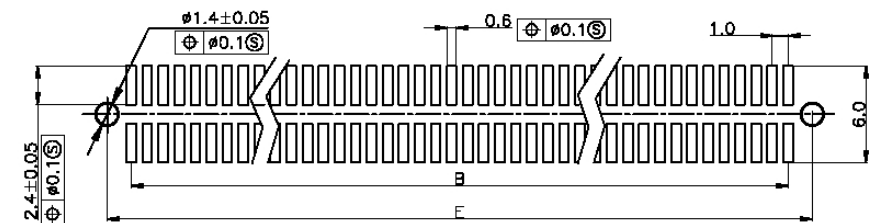
Housing: High Temperature Plastic UL94V-0.
 Contacts: Phosphor Bronze.
 Pad: Metal.

Electrical Characteristics:

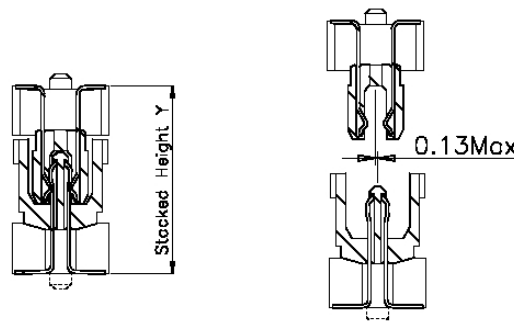
Current Rating: 0.5 AMP.
 Dielectric Withstanding Voltage: AC 500V For 1 minute.
 Insulator Resistance: 100MΩ min. at DC 100V.
 Contact Resistance: 40mΩ max. at DC 1mA.
 Operating Temperature: -25°C~+85°C .



NP10-PxxxPxxC-xxx-LF
 LEADFREE
 MATING HEIGHT 080:8.0mm 00:FLASH/GOLD
 10:10u"/GOLD
 15:15u"/GOLD
 150:15.0mm 30:30u"/GOLD



P.C.Board Layout



Position	14 Thru 100							
Dimension								
A	1.0*(No.of Positions/2)+3.9							
B	1.0*(No.of Positions/2)-1.0							
C	1.0*(No.of Positions/2)+0.3							
D	1.0*(No.of Positions/2)+2.58							
E	1.0*(No.of Positions/2)+2.4							
code:1-4 X	1	1	2	3	3	4	4	4
NP10-Sxxx	5.37	5.37	7.37	8.37	8.37	10.37	10.37	10.37
code:1-3 X	1	2	1	1	2	1	2	3
NP10-Pxxx	6.35	7.35	6.35	6.35	7.35	6.35	7.35	8.35
stacked height Y	8.0	9.0	10.0	11.0	12.0	13.0	14.0	15.0



PART NO. NP10-PxxxPxxC-xxx

DWG NO. NP10-PxxxPxxC-xxx

CHECKED BY CY

TOLERANCES ARE

DESCRIP TION:

FILE NO.

DRAWING BY

.X ± 0.2
.XX ± 0.1

AREA

REVISIONS

HK

DATE

煜倫股份有限公司

UNIT / mm

SCALE 1:1

PROJECTION

.XXX ± AWG