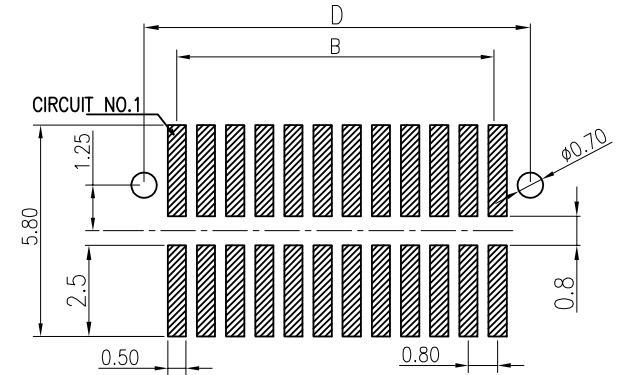
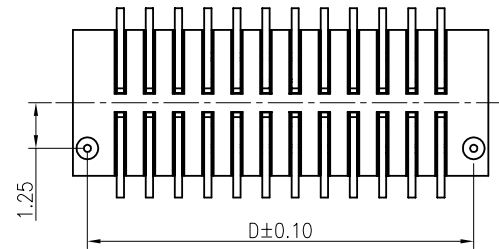
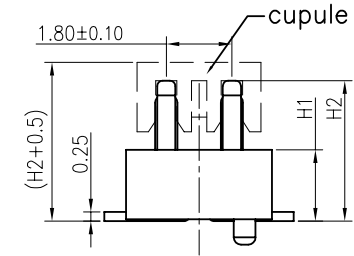
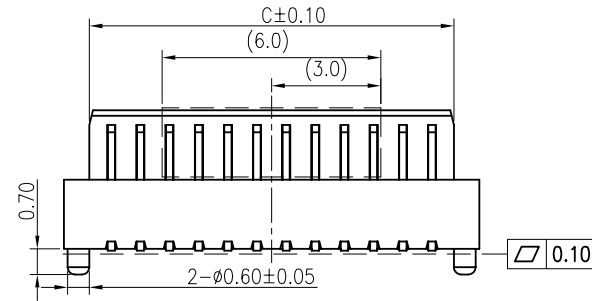
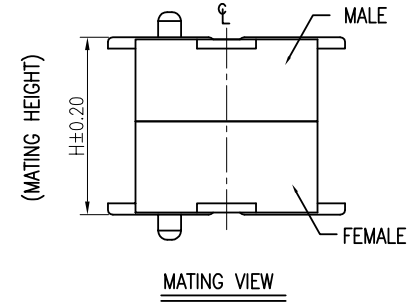
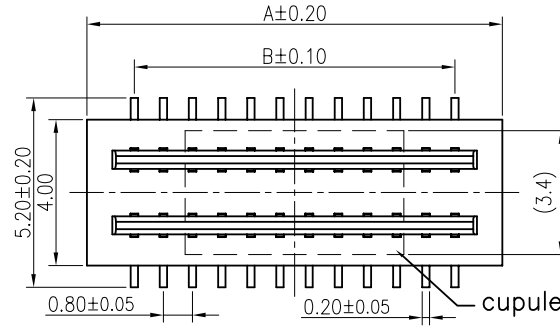


NOTES:

- HUOSINGT:PA46 HIGH-TEMP THERMOPLASTIC UL94V-0 COLOR:WHITE
- TERMINAL:PHOSPHOR BRONZE C5191
PLATING:1μ"GOLD FLASH OVERALL 50~100μ"NICKEL UNDER PLATED.

| | | | | | |
|---------------|------|------|------|------|------|
| MATING HEIGHT | 4.0 | 4.5 | 5.0 | 5.5 | 6.0 |
| MALE H1 | 1.85 | 0.95 | 1.45 | 1.95 | 2.45 |
| FEMALE H2 | 2.05 | 3.45 | | | |
| MALE H2 | 3.20 | 2.85 | 3.35 | 3.85 | 4.35 |

| No. of contacts | Dimensions | | | | No. of contacts | Dimensions | | | |
|-----------------|------------|------|------|------|-----------------|------------|------|------|------|
| | A | B | C | D | | A | B | C | D |
| 2* 4 | 5.0 | 2.4 | 3.6 | 4.2 | 2* 17 | 15.4 | 12.8 | 14.0 | 14.6 |
| 2* 5 | 5.8 | 3.2 | 4.4 | 5.0 | 2* 18 | 16.2 | 13.6 | 14.8 | 15.4 |
| 2* 6 | 6.6 | 4.0 | 5.2 | 5.8 | 2* 19 | 17.0 | 14.4 | 15.6 | 16.2 |
| 2* 7 | 7.4 | 4.8 | 6.0 | 6.6 | 2* 20 | 17.8 | 15.2 | 16.4 | 17.0 |
| 2* 8 | 8.2 | 5.6 | 6.8 | 7.4 | 2* 21 | 18.6 | 16.0 | 17.2 | 17.8 |
| 2* 9 | 9.0 | 6.4 | 7.6 | 8.2 | 2* 22 | 19.4 | 16.8 | 18.0 | 18.6 |
| 2* 10 | 9.8 | 7.2 | 8.4 | 9.0 | 2* 23 | 20.2 | 17.6 | 18.8 | 19.4 |
| 2* 11 | 10.6 | 8.0 | 9.2 | 9.8 | 2* 24 | 21.0 | 18.4 | 19.6 | 20.2 |
| 2* 12 | 11.4 | 8.8 | 10.0 | 10.6 | 2* 25 | 21.8 | 19.2 | 20.4 | 21.0 |
| 2* 13 | 12.2 | 9.6 | 10.8 | 11.4 | 2* 26 | 22.6 | 20.0 | 21.2 | 21.8 |
| 2* 14 | 13.0 | 10.4 | 11.6 | 12.2 | 2* 27 | 23.4 | 20.8 | 22.0 | 22.6 |
| 2* 15 | 13.8 | 11.2 | 12.4 | 13.0 | 2* 28 | 24.2 | 21.6 | 22.8 | 23.4 |
| 2* 16 | 14.6 | 12.0 | 13.2 | 13.8 | 2* 29 | 25.0 | 22.4 | 23.6 | 24.2 |
| 2* 17 | 15.4 | 12.8 | 14.0 | 14.6 | 2* 30 | 25.8 | 23.2 | 24.4 | 25.0 |



RECOMMENDED PCB PATTERN DIM.

TOLTPANCF · ±0.05

RoHS Compliant

TOLERANCES ARE

MORETHANALL
PCB CONNECTORS
Cable ASSEMBLIES

DRAWING BY CY

X.±

CHECKED BY GENIUS

.X±

UNIT / mm

SCALE 1 : 1

.XX±

DATE

.XXX±

ANG ±

SIZE A4

PJECTION

照片框

ORDER INFORMATION

NP08K-PxxxPC-xxx-LF

SERIES I | I | I | I LEADFREE
MALE MALE MALE MALE 008-060WAY

095:UNMATED HIGH 0.95mm CAP
145:UNMATED HIGH 1.45mm POST
185:UNMATED HIGH 1.85mm
195:UNMATED HIGH 1.95mm
245:UNMATED HIGH 2.45mm

DESCRIPTION: Board To Board Connector Pitch 0.80mm Male

煜倫股份有限公司

www.morethanall.com