

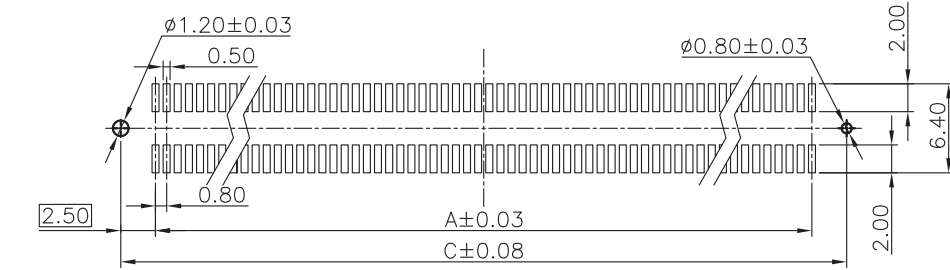
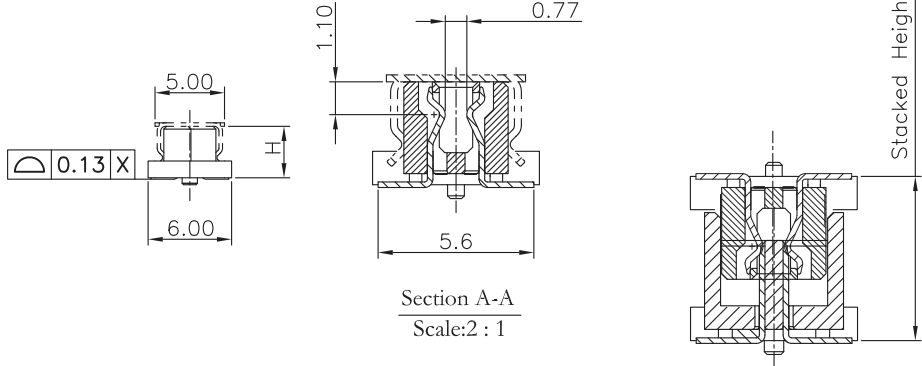
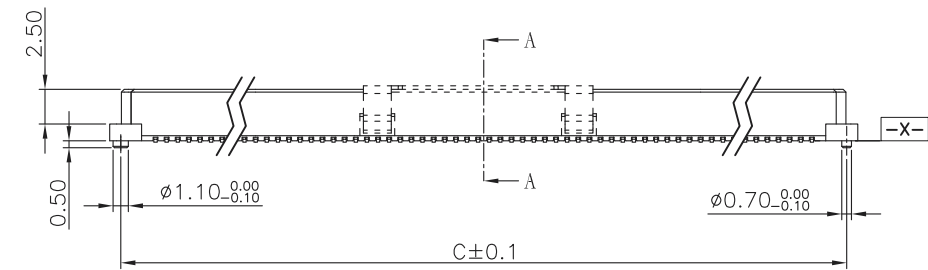
Material and Plating:

Housing: LCP, 50% Glass Filled, UL94V-0, Natural Color.
Signal Contacts: Phosphor Bronze.
 Gold Plated on Contact Area and 80u" Min Tin or Gold Flash Plated on Solder Tail over Nickel 50u" Min.

Electrical Characteristics:

Current Rating: 0.5 AMP.
Dielectric Withstanding Voltage: AC 500V For 1 minute.
Insulator Resistance: 500MΩ min. at DC 250V.
Contact Resistance: 30mΩ max. at DC 100mA.
Operating Temperature: -45°C~+125°C.

*RoHS Compliant



P.C. Board Layout
(Tolerance: ±0.05)

** Available Position					
Code	Pos.		Dimension		
	H1	H2	A	B	C
*	*	60	23.20	29.80	28.20
*	*	80	31.20	37.80	36.20
*	*	100	39.20	45.80	44.20
*	*	120	47.20	53.80	52.20
*	*	140	55.20	61.80	60.20

Code	1				2			
Height(H)	3.70				7.70			
Height(Y)	5.0	6.0	7.0	8.0	9.0	10.0	11.0	12.0

RoHS Compliant

TOLERANCES ARE



煜倫股份有限公司

www.morethanall.com

DRAWING BY CY		X. ± 0.50
CHECKED BY GENIUS		.X ± 0.25
UNIT / mm	SCALE 1 : 1	.XX ± 0.15
DATE		.XXX ±
SIZE A4	PJECTION	ANG ±



ORDER INFORMATION

NP0837-SVxxP1C-xxx-LF
 SERIES | | | | LEADFREE
 | | | | 060~140WAY
 FEMALE | | | | CAP
 | | | | POST
 180°SMT 04:UNMATED HIGH 0.4mm
 44:UNMATED HIGH 4.4mm

DESCRIPTION: Board to Board 0.8mm Female Type