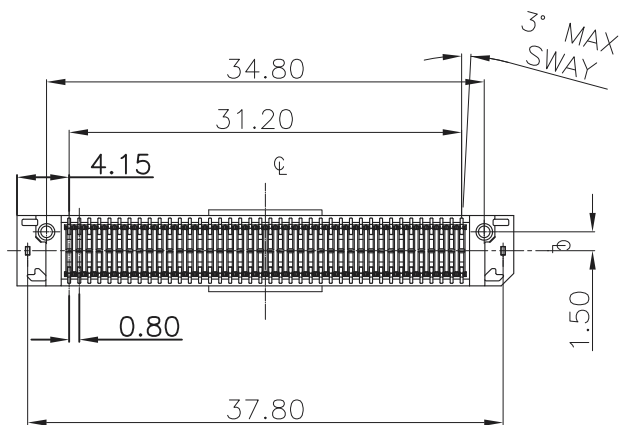


Section A-A



**Material and Plating:**

Housing: LCP, UL94V-0, BLACK.

Contact: Nickel Copper.

Gold Plated on Contact Area and 80u" Min Tin

Plated on Solder Tail over Nickel 50u" Min.

Lock: Phosphor Bronze.

80u" Min Tin Plated over Nickel 50u" Min.

**Electrical Characteristics:**

Current Rating: 1.5 AMP Per Contact With 1 Contact.

Voltage Rating: 300V AC.

Dielectric Withstanding Voltage: AC 500V For 1 Minute.

Insulator Resistance: 50000 MΩ Min.

Contact Resistance: 25mΩ max.

Operating Temperature: -55°C ~ +125°C.

**\*RoHS Compliant**

***Available Code				
Code	*1	2	3	4
Height C	5.10	7.00	9.10	10.10
Stacked Height D	7.0	10.0	13.0	14.0
	9.0	12.0	15.0	16.0
	11.0	14.0	17.0	18.0
	12.0	15.0	18.0	19.0

**RoHS Compliant**

TOLERANCES ARE

**MORETHANALL**  
PCB CONNECTORS  
Cable ASSEMBLIES

煜倫股份有限公司

www.morethanall.com

DRAWING BY CY

CHECKED BY GENIUS

UNIT / mm SCALE 1:1

DATE

SIZE A4

X. ± 0.50

.X ± 0.25

.XX ± 0.15

.XXX ±

ANG ±

PJECTION

照片框

**ORDER INFORMATION**

NP0832-SVxxxMP2C-xxx-LF

SERIES

FEMALE

180°SMT

LEADFREE

060-140WAY

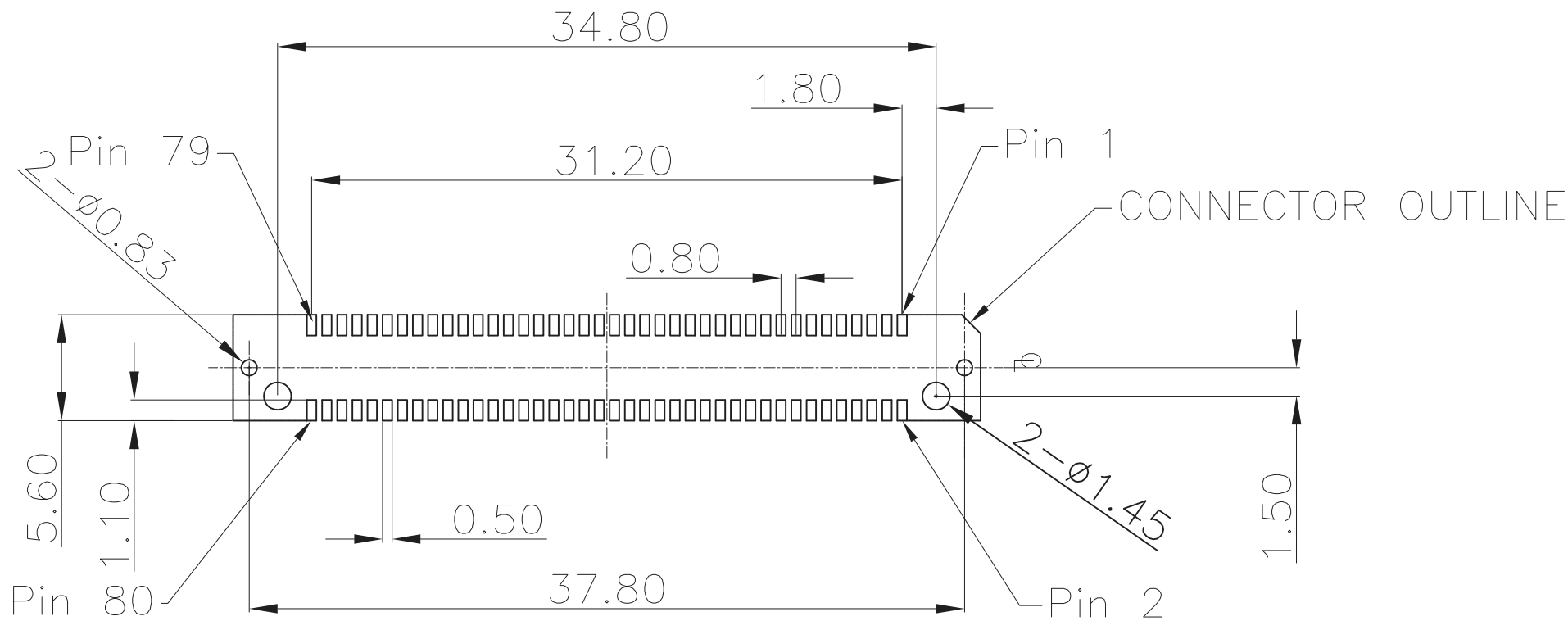
MYLAR

METAL FOOT+ POST

050:UNMATED HIGH 5.0mm

070.090.100:UNMATED HIGH 7.0mm,9.0mm,10.0mm

DESCRIPTION: Female Straight



**Recommended PCB Layout**

(Tolerance :  $\pm 0.05$ )

**RoHS Compliant**

TOLERANCES ARE



**煜倫股份有限公司**

www.morethanall.com

DRAWING BY CY

CHECKED BY GENIUS

UNIT / mm

SCALE 1 : 1

DATE

SIZE A4

X.  $\pm 0.50$

.X  $\pm 0.25$

.XX  $\pm 0.15$

.XXX  $\pm$

ANG  $\pm$

P PROJECTION

照片框

**ORDER INFORMATION**

NP0832-SVxxxMP2C-xxx-LF

SERIES

LEADFREE

060-140WAY

FEMALE

METAL FOOT+ POST

180°SMT

050:UNMATED HIGH 0.5mm

070.090.100:UNMATED HIGH 0.7mm,0.9mm,1.0mm

DESCRIPTION: Female Straight