

Material and Plating:

Housing: LCP, UL94V-0 , BLACK.

Contact: Brass .

Gold Plated on Contact Area and 80u" Min Tin

Plated on Solder Tail over Nickel 50u" Min.

Lock: Phosphor Bronze .

80u" Min Tin Plated over Nickel 50u" Min.

Electrical Characteristics:

Current Rating: 1.5 AMP Per Contact With 1 Contact.

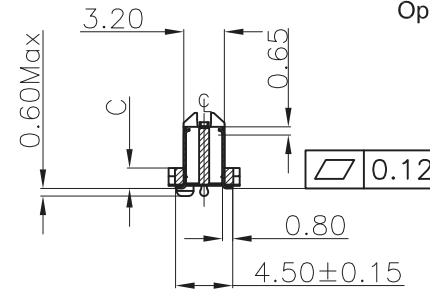
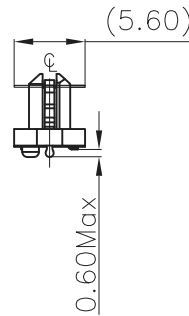
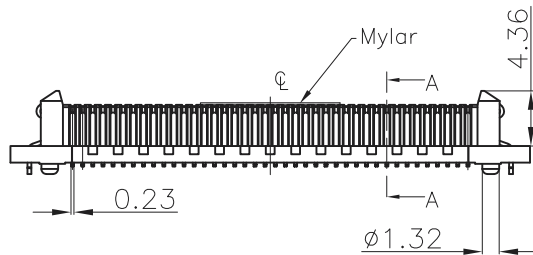
Voltage Rating: 300V AC.

Dielectric Withstanding Voltage: AC 500V For 1 Minute.

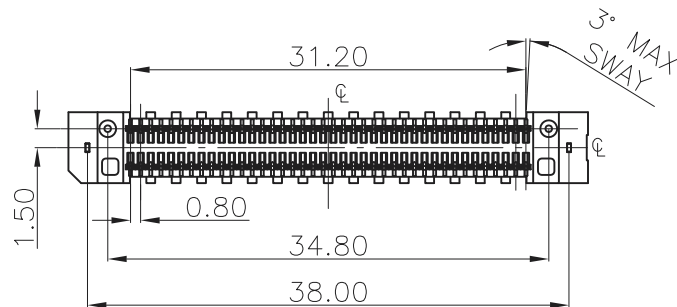
Insulator Resistance: 50000 MΩ Min.

Contact Resistance: 25mΩ max .

Operating Temperature: -55°C ~+125°C .



Section A-A



**Available Code																
Code	*1				2				3				4			
Height C	1.605				4.605				7.605				8.605			
Stacked Height D	7.0	10.0	13.0	14.0	9.0	12.0	15.0	16.0	11.0	14.0	17.0	18.0	12.0	15.0	18.0	19.0

RoHS Compliant

TOLERANCES ARE



煜倫股份有限公司

www.morethanall.com

DRAWING BY CY

CHECKED BY GENIUS

UNIT / mm SCALE 1 : 1

DATE

SIZE A4

X. ± 0.50

.X ± 0.25

.XX ± 0.15

.XXX ±

ANG ±

PJECTION

照片框

ORDER INFORMATION

NP0832-PVxxxMP2C-xxx-LF

SERIES

MALE

180°SMT

LEADFREE

060~140WAY

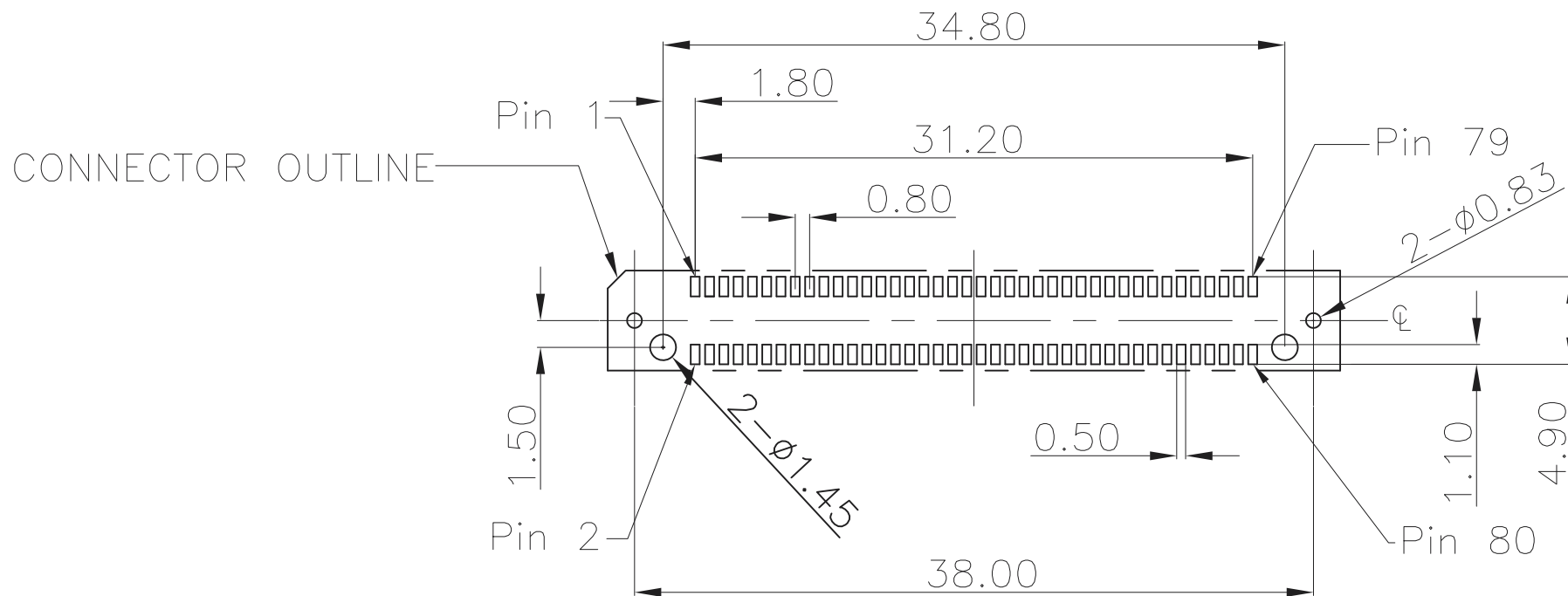
MYLAR

METAL FOOT+ POST

020:UNMATED HIGH 2.0mm

050.080.090:UNMATED HIGH 5.0mm,8.0mm,9.0mm

DESCRIPTION: Male Straight



Recommended PCB Layout
(Tolerance :±0.05)

RoHS Compliant

TOLERANCES ARE

MORETHANALL
PCB CONNECTORS
Cable ASSEMBLIES

DRAWING BY CY

X. ± 0.50

CHECKED BY GENIUS

.X ± 0.25

UNIT / mm

SCALE 1 : 1

.XX ± 0.15

DATE

.XXX ±

ANG ±

照片框

ORDER INFORMATION

NP0832-PVxxxMP2C-xxx-LF

SERIES

LEADFREE

060~140WAY

MYLAR

METAL FOOT+ POST

MALE

020:UNMATED HIGH 0.2mm

180°SMT

050.080.090:UNMATED HIGH 0.5mm,0.8mm,0.9mm

煜倫股份有限公司

www.morethanall.com

SIZE A4

PPOJECTION

DESCRIPTION: Male Straight