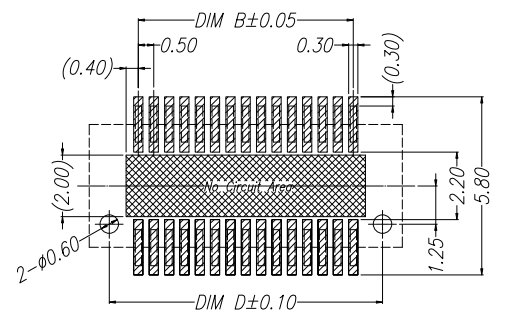


Mating Height Scale: 1.25:1



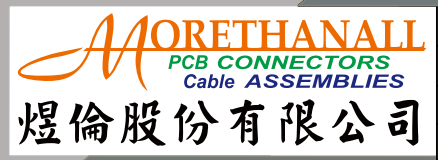
Recommend P.C.B Pattern Dim. Tolerance: ±0.05

- Note:
- Material Specification:
 - Housing: PA9T UL94V-0, Color: Black
 - Terminal: Phosphor Bronze
 - Plating Specification:
 - Terminal: Nickel under plated over all Gold plated on the functional area of contact & solder
 - Electrical Performance:
 - Voltage Rating: 60V DC
 - Current Rating: 0.5A Max.
 - Insulation Resistance: 800MΩ Min.
 - Dielectric Withstand Voltage: 500VAC For 1 Minute
 - Contact Resistance: 60mΩ Max.
 - Environmental Performance:
 - Operating Temperature: -45°C~+105°C
 - Mate Socket: BB50A-MPxxx-xxx00-B01R0

Mating Height	Part Number	Plug (H.)	Part Number	Socket (H.)
3.0	NP05K4-P08PCR-xxx	0.8	NP05K4-S22PCR-xxx	2.2
3.5	NP05K4-P13PCR-xxx	1.3	NP05K4-S22PCR-xxx	2.2
4.0	NP05K4-P10PCR-xxx	1.0	NP05K4-S30PCR-xxx	3.0
4.5	NP05K4-P10PCR-xxx	1.0	NP05K4-S35PCR-xxx	3.5
5.0	NP05K4-P10PCR-xxx	1.0	NP05K4-S40PCR-xxx	4.0
5.5	NP05K4-P10PCR-xxx	1.0	NP05K4-S45PCR-xxx	4.5
6.0	NP05K4-P20PCR-xxx	2.0	NP05K4-S40PCR-xxx	4.0
6.5	NP05K4-P20PCR-xxx	2.0	NP05K4-S45PCR-xxx	4.5
7.0	NP05K4-P40PCR-xxx	4.0	NP05K4-S30PCR-xxx	3.0
7.5	NP05K4-P40PCR-xxx	4.0	NP05K4-S35PCR-xxx	3.5
8.0	NP05K4-P40PCR-xxx	4.0	NP05K4-S40PCR-xxx	4.0
8.5	NP05K4-P40PCR-xxx	4.0	NP05K4-S45PCR-xxx	4.5

RoHS Compliant

TOLERANCES ARE



DRAWING BY CY
 CHECKED BY GENIUS
 UNIT / mm SCALE 1 : 1
 DATE

X, ±
 .X ± 0.25
 .XX ± 0.15
 .XXX ± 0.10
 ANG ±



ORDER INFORMATION

NP05K4-SxxPCR-xxx-LF
 SERIES | | | | LEADFREE
 FEMALE | | | | REEL 004~100WAY
 | | | | CAP POST
 22 UNMATED HIGH 2.2mm
 45 UNMATED HIGH 4.5mm

DESCRIPTION: Pitch 0.5mm xxPin BTB Socket H2.2~4.5mm Vertical SMT Type Mating Height 3.0~8.5mm GF

www.morethanall.com

SIZE A4 PPROJECTION

Poles	DIM A	DIM B	DIM C	DIM D	DIM E	Poles	DIM A	DIM B	DIM C	DIM D	DIM E
4	3.70	0.50	1.56	2.40	4.00	54	16.20	13.00	14.06	14.90	8.00
6	4.20	1.00	2.06	2.90		56	16.70	13.50	14.56	15.40	
8	4.70	1.50	2.56	3.40		58	17.20	14.00	15.06	15.90	
10	5.20	2.00	3.06	3.90		60	17.70	14.50	15.56	16.40	
12	5.70	2.50	3.56	4.40		62	18.20	15.00	16.06	16.90	
14	6.20	3.00	4.06	4.90		64	18.70	15.50	16.56	17.40	
16	6.70	3.50	4.56	5.40		66	19.20	16.00	17.06	17.90	
18	7.20	4.00	5.06	5.90		68	19.70	16.50	17.56	18.40	
20	7.70	4.50	5.56	6.40		70	20.20	17.00	18.06	18.90	
22	8.20	5.00	6.06	6.90		72	20.70	17.50	18.56	19.40	
24	8.70	5.50	6.56	7.40		74	21.20	18.00	19.06	19.90	
26	9.20	6.00	7.06	7.90		76	21.70	18.50	19.56	20.40	
28	9.70	6.50	7.56	8.40		78	22.20	19.00	20.06	20.90	
30	10.20	7.00	8.06	8.90		80	22.70	19.50	20.56	21.40	
32	10.70	7.50	8.56	9.40	82	23.20	20.00	21.06	21.90		
34	11.20	8.00	9.06	9.90	84	23.70	20.50	21.56	22.40		
36	11.70	8.50	9.56	10.40	86	24.20	21.00	22.06	22.90		
38	12.20	9.00	10.06	10.90	88	24.70	21.50	22.56	23.40		
40	12.70	9.50	10.56	11.40	90	25.20	22.00	23.06	23.90		
42	13.20	10.00	11.06	11.90	92	25.70	22.50	23.56	24.40		
44	13.70	10.50	11.56	12.40	94	26.20	23.00	24.06	24.90		
46	14.20	11.00	12.06	12.90	96	26.70	23.50	24.56	25.40		
48	14.70	11.50	12.56	13.40	98	27.20	24.00	25.06	25.90		
50	15.20	12.00	13.06	13.90	100	27.70	24.50	25.56	26.40		

RoHS Compliant

TOLERANCES ARE

MORETHANALL
PCB CONNECTORS
Cable ASSEMBLIES

煜倫股份有限公司

www.morethanall.com

DRAWING BY CY

CHECKED BY GENIUS

UNIT / mm SCALE 1 : 1

DATE

SIZE A4


X, ±
.X ± 0.25
.XX ± 0.15
.XXX ± 0.10
ANG ±

PJECTION 

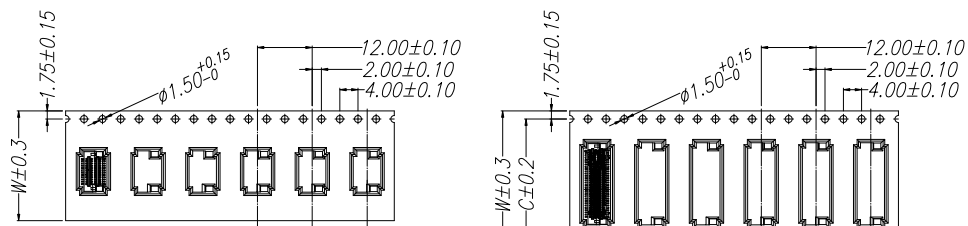
照片框

ORDER INFORMATION

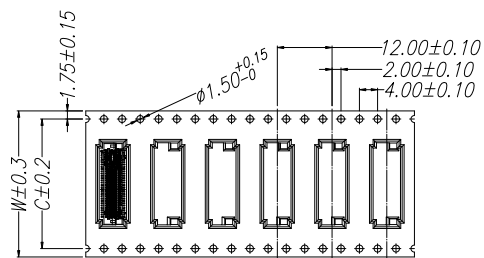
NP05K4-SxxPCR-xxx-LF

SERIES  LEADFREE
004~100WAY
REEL
CAP
POST
FEMALE
22 UNMATED HIGH 2.2mm
45 UNMATED HIGH 4.5mm

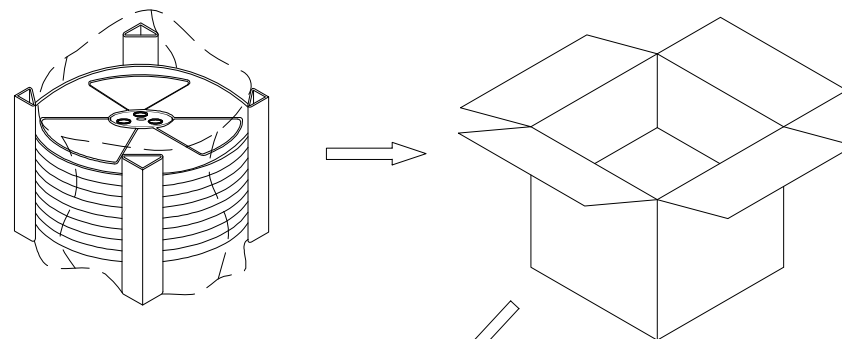
DESCRIPTION: Pitch 0.5mm xxPin BTB Socket H2.2~4.5mm Vertical SMT Type Mating Height3.0~8.5mm GF



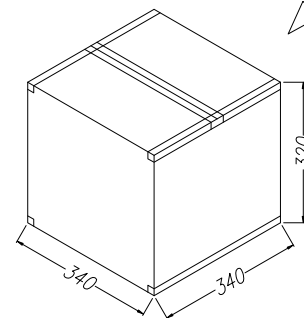
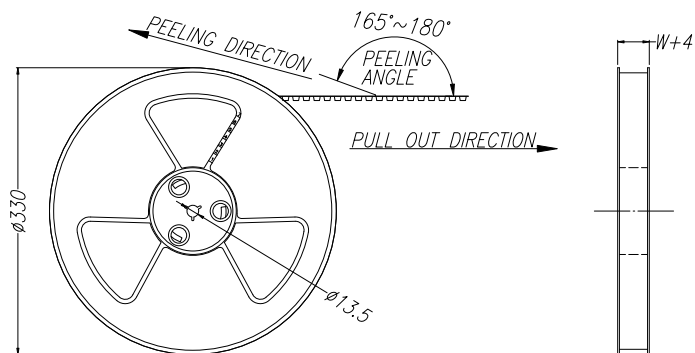
Tape width 16 and 24 mm



Tape width 32 and 44 mm



PULL OUT DIRECTION



PIN NO.	DIM W	DIM C	PCS /REEL	REEL/CARTON	SUM(PCS)
04PIN~20PIN	16.0	-	1,000	15	15,000
22PIN~52PIN	24.0	-	1,000	11	11,000
54PIN~70PIN	32.0	28.4	1,000	8	8,000
72PIN~100PIN	44.0	40.4	1,000	6	6,000

RoHS Compliant

TOLERANCES ARE

MORETHANALL
PCB CONNECTORS
Cable ASSEMBLIES

DRAWING BY CY

CHECKED BY GENIUS

UNIT / mm

SCALE 1 : 1

DATE

SIZE A4

X, ±
.X ± 0.25
.XX ± 0.15
.XXX ± 0.10
ANG ±

P PROJECTION

照片框

ORDER INFORMATION

NP05K4-SxxPCR-xxx-LF

SERIES | | | | LEADFREE
FEMALE | | | | REEL | | | | 004~100WAY
POST
22 UNMATED HIGH 2.2mm
45 UNMATED HIGH 4.5mm

DESCRIPTION: Pitch 0.5mm xxPin BTB Socket H2.2~4.5mm Vertical SMT Type Mating Height3.0~8.5mm GF

煜倫股份有限公司

www.morethanall.com