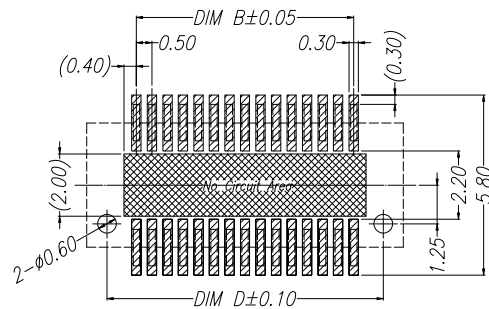


Mating Height Scale: 1.25:1



Recommend P.C.B Pattern Dim. Tolerance: ±0.05

Note:

1. Material Specification:
  - 1-1. Housing: PA9T UL94V-0, Color: Black
  - 1-2. Terminal: Phosphor Bronze
2. Plating Specification:
  - 2-1. Terminal: Nickel under plated over all Gold plated on the functional area of contact & solder
3. Electrical Performance:
  - 3-1. Voltage Rating: 60V DC
  - 3-2. Current Rating: 0.5A Max.
  - 3-3. Insulation Resistance: 800MΩ Min.
  - 3-4. Dielectric Withstand Voltage: 500VAC For 1 Minute
  - 3-5. Contact Resistance: 60mΩ Max.
4. Environmental Performance:
  - 4-1. Operating Temperature: -45°C~+105°C

Mating Height	Part Number	Plug (H.)	Part Number	Socket (H.)	DIM F
3.0	NP05K4-P08PCR-xxx	0.8	NP05K4-S22PCR-xxx	2.2	4.0
3.5	NP05K4-P13PCR-xxx	1.3	NP05K4-S22PCR-xxx	2.2	
4.0	NP05K4-P10PCR-xxx	1.0	NP05K4-S30PCR-xxx	3.0	
4.5	NP05K4-P10PCR-xxx	1.0	NP05K4-S35PCR-xxx	3.5	
5.0	NP05K4-P10PCR-xxx	1.0	NP05K4-S40PCR-xxx	4.0	
5.5	NP05K4-P10PCR-xxx	1.0	NP05K4-S45PCR-xxx	4.5	4.4
6.0	NP05K4-P20PCR-xxx	2.0	NP05K4-S40PCR-xxx	4.0	
6.5	NP05K4-P20PCR-xxx	2.0	NP05K4-S45PCR-xxx	4.5	
7.0	NP05K4-P40PCR-xxx	4.0	NP05K4-S30PCR-xxx	3.0	
7.5	NP05K4-P40PCR-xxx	4.0	NP05K4-S35PCR-xxx	3.5	
8.0	NP05K4-P40PCR-xxx	4.0	NP05K4-S40PCR-xxx	4.0	4.5
8.5	NP05K4-P40PCR-xxx	4.0	NP05K4-S45PCR-xxx	4.5	

RoHS Compliant

TOLERANCES ARE

**MORETHANALL**  
PCB CONNECTORS  
Cable ASSEMBLIES

DRAWING BY CY

X, ±  
.X ± 0.25  
.XX ± 0.15  
.XXX ± 0.10  
ANG ±

CHECKED BY GENIUS

UNIT / mm SCALE 1 : 1

DATE

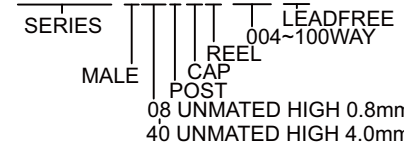
SIZE A4

PJECTION

照片框

ORDER INFORMATION

NP05K4-PxxPCR-xxx-LF



DESCRIPTION: Pitch 0.5mm xxPin BTB Plug H0.8~4.0mm Vertical SMT Type Mating Height3.0~8.5mm GF

煜倫股份有限公司

www.morethanall.com

Poles	DIM A	DIM B	DIM C	DIM D	DIM E	Poles	DIM A	DIM B	DIM C	DIM D	DIM E
4	3.70	0.50	1.56	2.40	4.00	54	16.20	13.00	14.06	14.90	8.00
6	4.20	1.00	2.06	2.90		56	16.70	13.50	14.56	15.40	
8	4.70	1.50	2.56	3.40		58	17.20	14.00	15.06	15.90	
10	5.20	2.00	3.06	3.90		60	17.70	14.50	15.56	16.40	
12	5.70	2.50	3.56	4.40		62	18.20	15.00	16.06	16.90	
14	6.20	3.00	4.06	4.90		64	18.70	15.50	16.56	17.40	
16	6.70	3.50	4.56	5.40		66	19.20	16.00	17.06	17.90	
18	7.20	4.00	5.06	5.90		68	19.70	16.50	17.56	18.40	
20	7.70	4.50	5.56	6.40		70	20.20	17.00	18.06	18.90	
22	8.20	5.00	6.06	6.90		72	20.70	17.50	18.56	19.40	
24	8.70	5.50	6.56	7.40		74	21.20	18.00	19.06	19.90	
26	9.20	6.00	7.06	7.90		76	21.70	18.50	19.56	20.40	
28	9.70	6.50	7.56	8.40		78	22.20	19.00	20.06	20.90	
30	10.20	7.00	8.06	8.90		80	22.70	19.50	20.56	21.40	
32	10.70	7.50	8.56	9.40		82	23.20	20.00	21.06	21.90	
34	11.20	8.00	9.06	9.90		84	23.70	20.50	21.56	22.40	
36	11.70	8.50	9.56	10.40	86	24.20	21.00	22.06	22.90		
38	12.20	9.00	10.06	10.90	88	24.70	21.50	22.56	23.40		
40	12.70	9.50	10.56	11.40	90	25.20	22.00	23.06	23.90		
42	13.20	10.00	11.06	11.90	92	25.70	22.50	23.56	24.40		
44	13.70	10.50	11.56	12.40	94	26.20	23.00	24.06	24.90		
46	14.20	11.00	12.06	12.90	96	26.70	23.50	24.56	25.40		
48	14.70	11.50	12.56	13.40	98	27.20	24.00	25.06	25.90		
50	15.20	12.00	13.06	13.90	100	27.70	24.50	25.56	26.40		

RoHS Compliant

TOLERANCES ARE

**MORETHANALL**  
PCB CONNECTORS  
Cable ASSEMBLIES

DRAWING BY CY

CHECKED BY GENIUS

UNIT / mm SCALE 1 : 1

DATE

SIZE A4

X, ±  
.X ± 0.25  
.XX ± 0.15  
.XXX ± 0.10  
ANG ±

PJECTION

照片框

ORDER INFORMATION

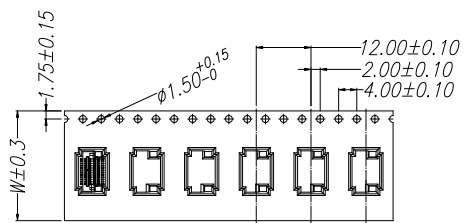
NP05K4-PxxPCR-xxx-LF

SERIES LEADFREE  
004~100WAY  
REEL  
CAP  
POST  
MALE  
08 UNMATED HIGH 0.8mm  
40 UNMATED HIGH 4.0mm

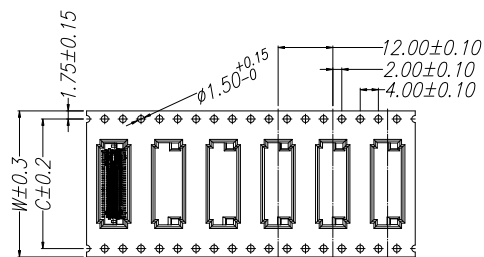
DESCRIPTION: Pitch 0.5mm xxPin BTB Plug H0.8~4.0mm Vertical SMT Type Mating Height3.0~8.5mm GF

煜倫股份有限公司

www.morethanall.com

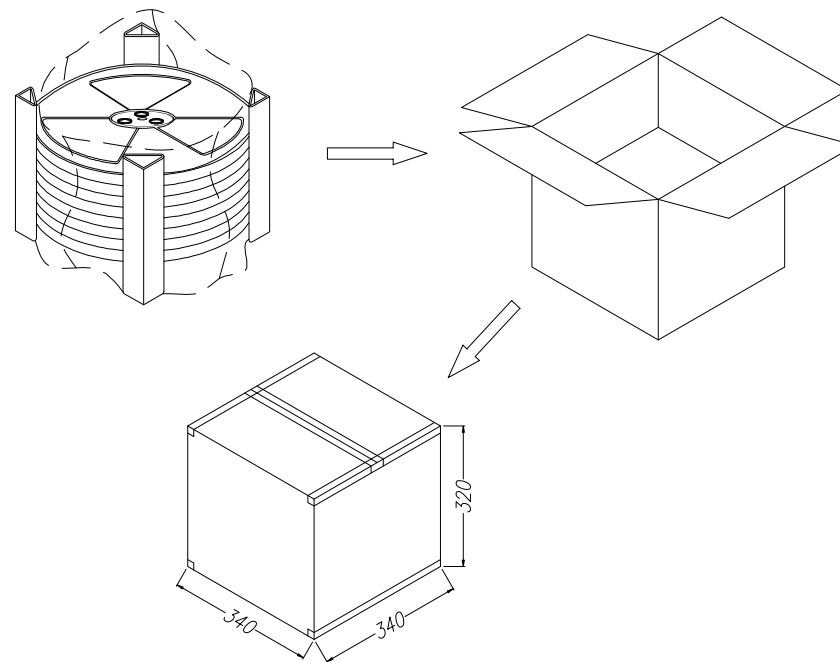
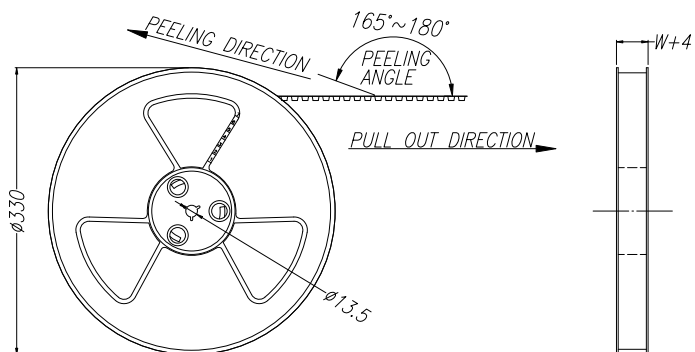


Tape width 16 and 24 mm



Tape width 32 and 44 mm

PULL OUT DIRECTION



PIN NO.	DIM W	DIM C	PCS /REEL	REEL/CARTON	SUM(PCS)
04PIN~20PIN	16.0	-	1,000	15	15,000
22PIN~52PIN	24.0	-	1,000	11	11,000
54PIN~70PIN	32.0	28.4	1,000	8	8,000
72PIN~100PIN	44.0	40.4	1,000	6	6,000

RoHS Compliant

TOLERANCES ARE



煜倫股份有限公司

www.morethanall.com

DRAWING BY CY

CHECKED BY GENIUS

UNIT / mm

SCALE 1 : 1

DATE

SIZE A4

X, ±  
.X ± 0.25  
.XX ± 0.15  
.XXX ± 0.10  
ANG ±

P PROJECTION

照片框

ORDER INFORMATION

NP05K4-PxxPCR-xxx-LF

SERIES MALE REEL CAP POST  
LEADFREE 004~100WAY  
08 UNMATED HIGH 0.8mm  
40 UNMATED HIGH 4.0mm

DESCRIPTION: Pitch 0.5mm xxPin BTB Plug H0.8~4.0mm Vertical SMT Type Mating Height3.0~8.5mm GF