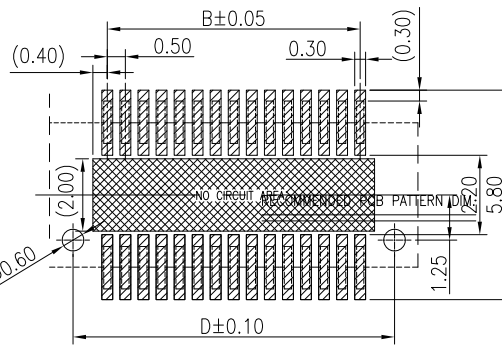
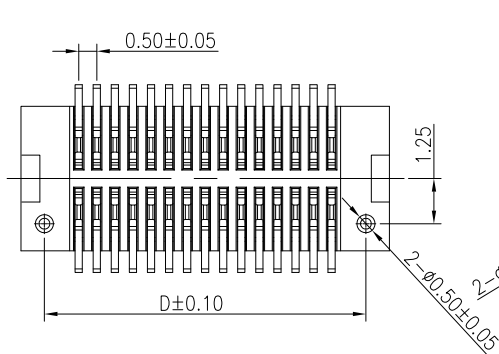
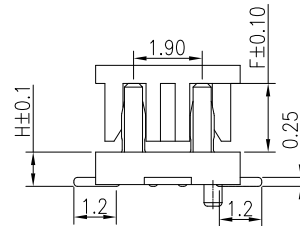
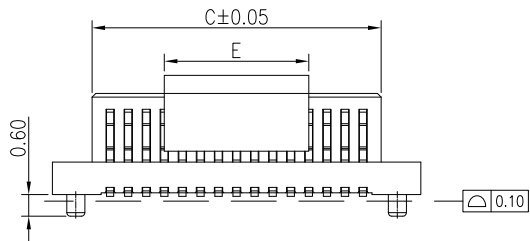
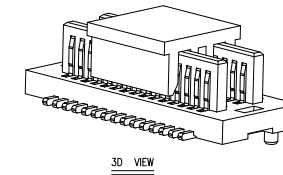


NOTES:

- HUOSING: PA9T HIGH-TEMP THERMOPLASTIC UL94V-0 COLOR:BLACK
- TERMINAL:PHOSPHOR BRONZE
PLATING:1*''GOLD FLASH OVERALL 50~100*''NICKEL UNDER PLATED.



TOLERANCE : ±0.05

MATING HEIGHT	PLUG (H.)	SOCKET (H.)	F	NO.of contacts	Dimensions					NO.of contacts	Dimensions			
					A	B	C	D	E		A	B	C	D
3.0	0.8	2.2	1.6	4	3.70	0.50	1.50	2.40		54	16.20	13.00	14.00	14.90
3.5	1.3	2.2	1.6	6	4.20	1.00	2.00	2.90		56	16.70	13.50	14.50	15.40
4.0	1.0	3.0	1.9	8	4.70	1.50	2.50	3.40		58	17.20	14.00	15.00	15.90
4.5	1.0	3.5	1.9	10	5.20	2.00	3.00	3.90		60	17.70	14.50	15.50	16.40
5.0	1.0	4.0	1.9	12	5.70	2.50	3.50	4.40		62	18.20	15.00	16.00	16.90
5.5	1.0	4.5	1.9	14	6.20	3.00	4.00	4.90		64	18.70	15.50	16.50	17.40
6.0	2.0	4.0	1.9	16	6.70	3.50	4.50	5.40		66	19.20	16.00	17.00	17.90
6.5	2.0	4.5	1.9	18	7.20	4.00	5.00	5.90		68	19.70	16.50	17.50	18.40
				20	7.70	4.50	5.50	6.40	4.00	70	20.20	17.00	18.00	18.90
				22	8.20	5.00	6.00	6.90		72	20.70	17.50	18.50	19.40
				24	8.70	5.50	6.50	7.40		74	21.20	18.00	19.00	19.90
				26	9.20	6.00	7.00	7.90		76	21.70	18.50	19.50	20.40
				28	9.70	6.50	7.50	8.40		78	22.20	19.00	20.00	20.90
				30	10.20	7.00	8.00	8.90		80	22.70	19.50	20.50	21.40
				32	10.70	7.50	8.50	9.40		82	23.20	20.00	21.00	21.90
				34	11.20	8.00	9.00	9.90		84	23.70	20.50	21.50	22.40
				36	11.70	8.50	9.50	10.40	8.00	86	24.20	21.00	22.00	22.90
				38	12.20	9.00	10.00	10.90		88	24.70	21.50	22.50	23.40
				40	12.70	9.50	10.50	11.40		90	25.20	22.00	23.00	23.90
				42	13.20	10.00	11.00	11.90	8.00	92	25.70	22.50	23.50	24.40
				44	13.70	10.50	11.50	12.40		94	26.20	23.00	24.00	24.90
				46	14.20	11.00	12.00	12.90		96	26.70	23.50	24.50	25.40
				48	14.70	11.50	12.50	13.40		98	27.20	24.00	25.00	25.90
				50	15.20	12.00	13.00	13.90		100	27.70	24.50	25.50	26.40
				52	15.70	12.50	13.50	14.40						

RoHS Compliant

TOLERANCES ARE

MORETHANALL
PCB CONNECTORS
Cable ASSEMBLIES

DRAWING BY CY

X, ±

CHECKED BY GENIUS

.X ± 0.30

UNIT / mm

SCALE 1 : 1

.XX ± 0.20

DATE

.XXX ± 0.10

SIZE A4

PJECTION

ANG ±

照片框

ORDER INFORMATION

NP05K4-PxxPC-xxx-LF

SERIES

LEADFREE

004~100WAY

MALE

CAP POST

08:UNMATED HIGH 0.8mm

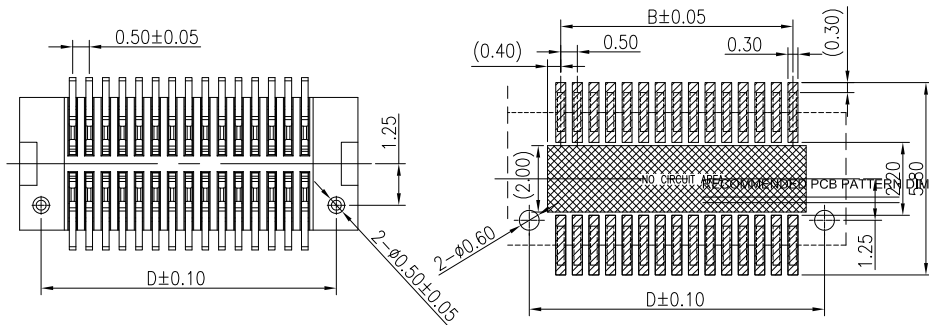
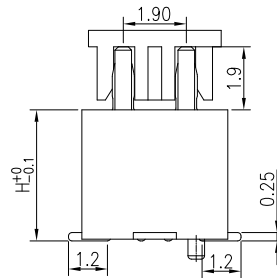
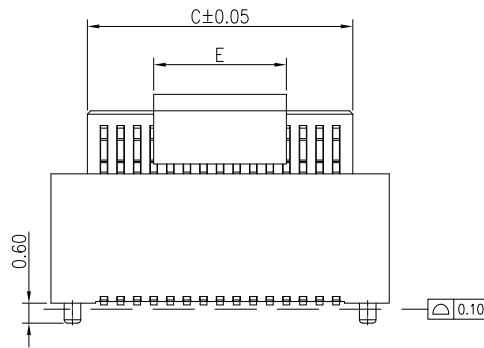
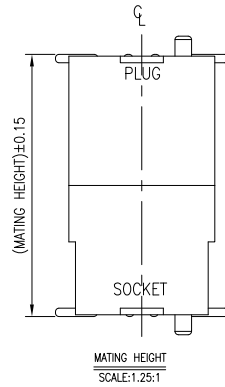
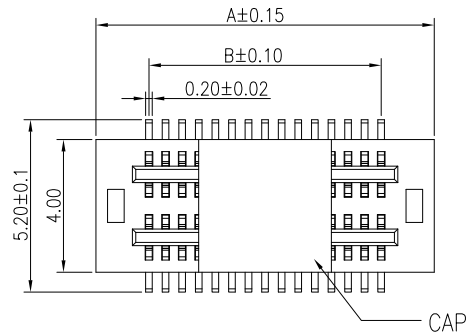
13:UNMATED HIGH 1.3mm

40:UNMATED HIGH 4.0mm

煜倫股份有限公司

www.morethanall.com

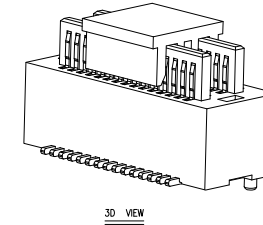
DESCRIPTION: 0.5PH 雙槽BTB PLUG



TOLERANCE : ±0.05

NOTES:

- 1.HOUSING : PA9T HIGH-TEMP THERMOPLASTIC UL94V-0 COLOR : BLACK
- 2.TERMINAL : PHOSPHOR BRONZE
PLATING : 1μ" GOLD FLASH OVERALL 50~100μ" NICKEL UNDER PLATED.



MATING HEIGHT	PLUG (H.)	SOCKET (H.)	NO.of contacts	Dimensions					NO.of contacts	Dimensions			
				A.	B.	C.	D.	E.		A.	B.	C.	D.
7.0	4.0	3.0	4	3.70	0.50	1.50	2.40	4.00	54	16.20	13.00	14.00	14.90
			6	4.20	1.00	2.00	2.90		56	16.70	13.50	14.50	15.40
7.5	4.0	3.5	8	4.70	1.50	2.50	3.40	58	17.20	14.00	15.00	15.90	
			10	5.20	2.00	3.00	3.90	60	17.70	14.50	15.50	16.40	
8.0	4.0	4.0	12	5.70	2.50	3.50	4.40	62	18.20	15.00	16.00	16.90	
			14	6.20	3.00	4.00	4.90	64	18.70	15.50	16.50	17.40	
8.5	4.0	4.5	16	6.70	3.50	4.50	5.40	66	19.20	16.00	17.00	17.90	
			18	7.20	4.00	5.00	5.90	68	19.70	16.50	17.50	18.40	
8.0	4.0	4.0	20	7.70	4.50	5.50	6.40	70	20.20	17.00	18.00	18.90	
			22	8.20	5.00	6.00	6.90	72	20.70	17.50	18.50	19.40	
8.0	4.0	4.0	24	8.70	5.50	6.50	7.40	74	21.20	18.00	19.00	19.90	
			26	9.20	6.00	7.00	7.90	76	21.70	18.50	19.50	20.40	
8.0	4.0	4.0	28	9.70	6.50	7.50	8.40	78	22.20	19.00	20.00	20.90	
			30	10.20	7.00	8.00	8.90	80	22.70	19.50	20.50	21.40	
8.0	4.0	4.0	32	10.70	7.50	8.50	9.40	82	23.20	20.00	21.00	21.90	
			34	11.20	8.00	9.00	9.90	84	23.70	20.50	21.50	22.40	
8.0	4.0	4.0	36	11.70	8.50	9.50	10.40	86	24.20	21.00	22.00	22.90	
			38	12.20	9.00	10.00	10.90	88	24.70	21.50	22.50	23.40	
8.0	4.0	4.0	40	12.70	9.50	10.50	11.40	90	25.20	22.00	23.00	23.90	
			42	13.20	10.00	11.00	11.90	92	25.70	22.50	23.50	24.40	
8.0	4.0	4.0	44	13.70	10.50	11.50	12.40	94	26.20	23.00	24.00	24.90	
			46	14.20	11.00	12.00	12.90	96	26.70	23.50	24.50	25.40	
8.0	4.0	4.0	48	14.70	11.50	12.50	13.40	98	27.20	24.00	25.00	25.90	
			50	15.20	12.00	13.00	13.90	100	27.70	24.50	25.50	26.40	
8.0	4.0	4.0	52	15.70	12.50	13.50	14.40						

RoHS Compliant

TOLERANCES ARE

MORETHANALL
PCB CONNECTORS
Cable ASSEMBLIES

DRAWING BY CY

CHECKED BY GENIUS

UNIT / mm

SCALE 1 : 1

DATE

SIZE A4

X. ±
.X ± 0.30
.XX ± 0.20
.XXX ± 0.10
ANG ±

PJECTION

照片框

ORDER INFORMATION

NP05K4-PxxPC-xxx-LF

SERIES | | | LEADFREE
CAP
POST
MALE | | | 004~100WAY
08:UNMATED HIGH 0.8mm
13:UNMATED HIGH 1.3mm
40:UNMATED HIGH 4.0mm

DESCRIPTION: 0.5PH 雙槽BTB PLUG

煜倫股份有限公司

www.morethanall.com