

Recommended P.C. Board Layout

- Material:
- * Insulation: Glass filled Polyamide UL 94V-0 Color Black
 - * Contact: Copper alloy, t=0.2mm
 - * Fixed Tab: Brass, t=0.2mm

DIM.A = 0.50 * No. of Spaces
 DIM.B = DIM.A + 3.0
 DIM.C = DIM.A + 2.0
 DIM.D = DIM.A + 0.5

* Available in 10 through 80 circuits

RoHS Compliant

TOLERANCES ARE

MORETHANALL
 PCB CONNECTORS
 Cable ASSEMBLIES

DRAWING BY CY
 CHECKED BY GENIUS
 UNIT / mm SCALE 1:1
 DATE

X.±
 .X±
 .XX±
 .XXX±
 ANG±

照片框

ORDER INFORMATION

NP0527-SxxPR-xxx-LF

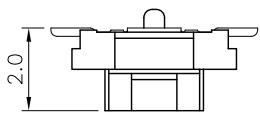
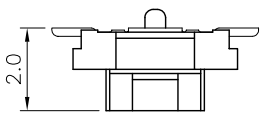
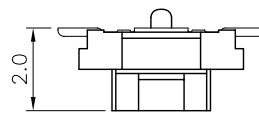
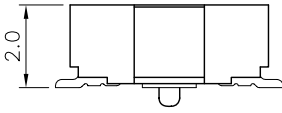
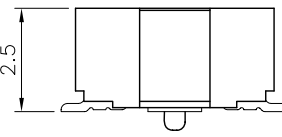
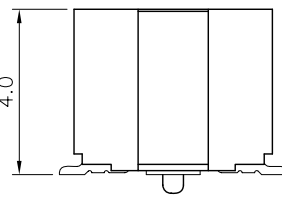
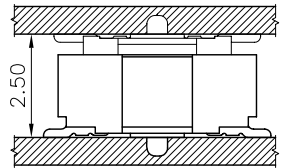
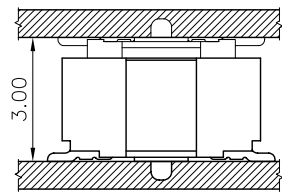
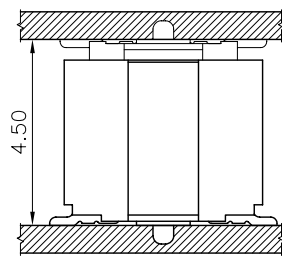
SERIES | | | | LEADFREE
 | | | | 010-080WAY
 FEMALE | | | | REEL
 | | | | POST
 25:UNMATED HIGH 2.5mm
 45:UNMATED HIGH 4.5mm

www.morethanall.com

SIZE A4

PJECTION

DESCRIPTION:

Female	NP0526-S05PR-xxx 	NP0526-S05PR-xxx 	NP0526-S05PR-xxx 
Male	NP0526-P20PR-xxx 	NP0526-P25PR-xxx 	NP0526-P40PR-xxx 
Mating Height			

RoHS Compliant

TOLERANCES ARE

MORETHANALL
PCB CONNECTORS
Cable ASSEMBLIES

DRAWING BY CY

X. ±

CHECKED BY GENIUS

.X ±

UNIT / mm

SCALE 1 : 1

.XX ±

DATE

.XXX ±

ANG ±

SIZE A4

PJECTION 

照片框

ORDER INFORMATION

NP0527-SxxPR-xxx-LF

SERIES

LEADFREE
010-080WAY

FEMALE

REEL
POST

25:UNMATED HIGH 2.5mm
45:UNMATED HIGH 4.5mm

煜倫股份有限公司

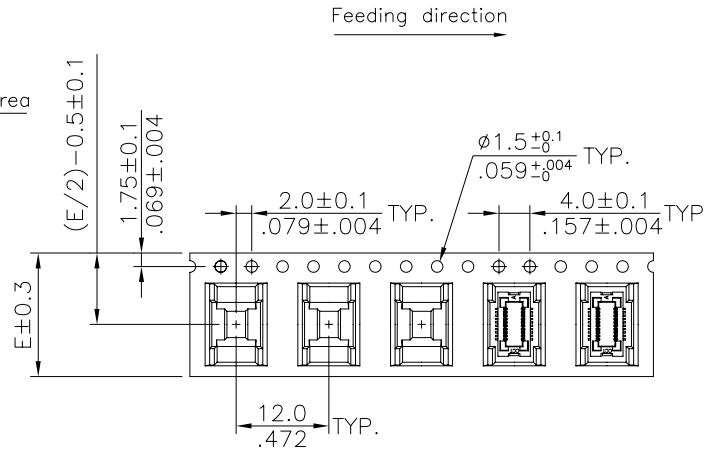
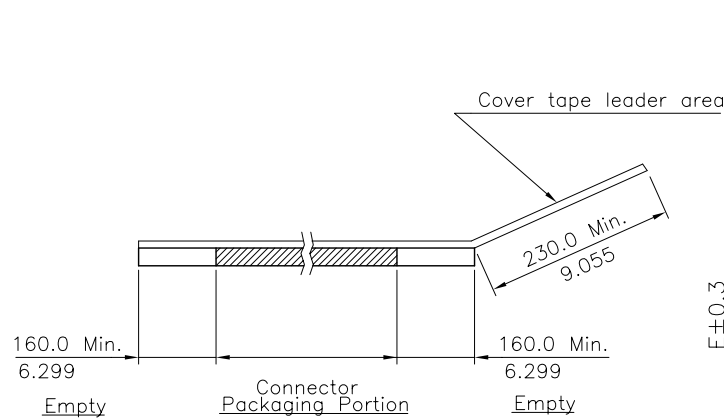
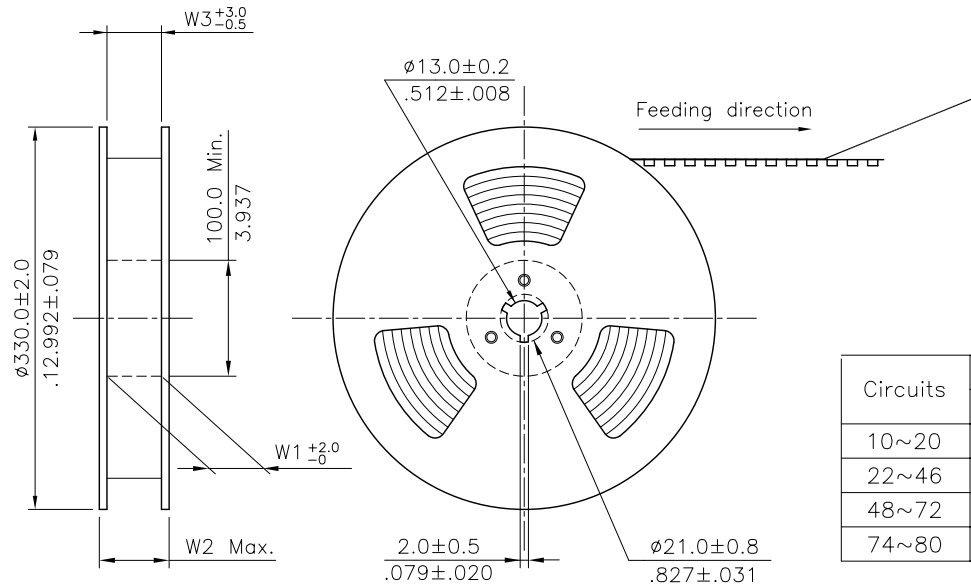
www.morethanall.com

DESCRIPTION:

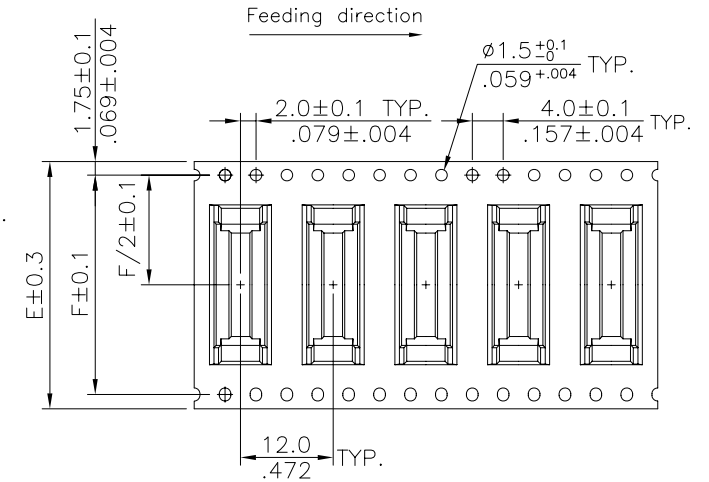
NOTE :

- * Reel Material : HIPS
- * Carrier Material : Clear, Conductive Polystyrene Alloy
- * Cover Tape Material : Polyester
- * Cover Tape Peel Strength : 0.1N – 1.3N
- * Carrier camber is within 1mm in 100mm
- * All dimensions meet EIA-481-2 & EIA-481-3 requirements.
- * Quantity : 1000 PCS/Reel

Circuits	Dimension					Packing (Reel/Caton)
	E	F	W1	W2	W3	
10~20	16.0(.630)	-	16.5(.650)	22.5(.886)	16.5(.650)	11
22~46	24.0(.945)	-	24.5(.965)	30.5(1.200)	24.5(.965)	9
48~72	32.0(1.260)	28.40(1.118)	32.5(1.280)	38.5(1.516)	32.5(1.280)	7
74~80	44.0(1.732)	40.40(1.591)	44.5(1.752)	50.5(1.988)	44.5(1.752)	5



WIDTH : 16,24 mm Carrier



WIDTH : 32 mm Carrier

RoHS Compliant

TOLERANCES ARE

MORETHANALL
PCB CONNECTORS
Cable ASSEMBLIES

DRAWING BY CY
CHECKED BY GENIUS
UNIT / mm SCALE 1 : 1
DATE

X. ±
.X ±
.XX ±
.XXX ±
ANG ±

照片框

ORDER INFORMATION

NP0527-SxxPR-xxx-LF

SERIES | | | | LEADFREE
FEMALE | | | | REEL
25:UNMATED HIGH 2.5mm
45:UNMATED HIGH 4.5mm

www.morethanall.com

SIZE A4

PJECTION

DESCRIPTION: