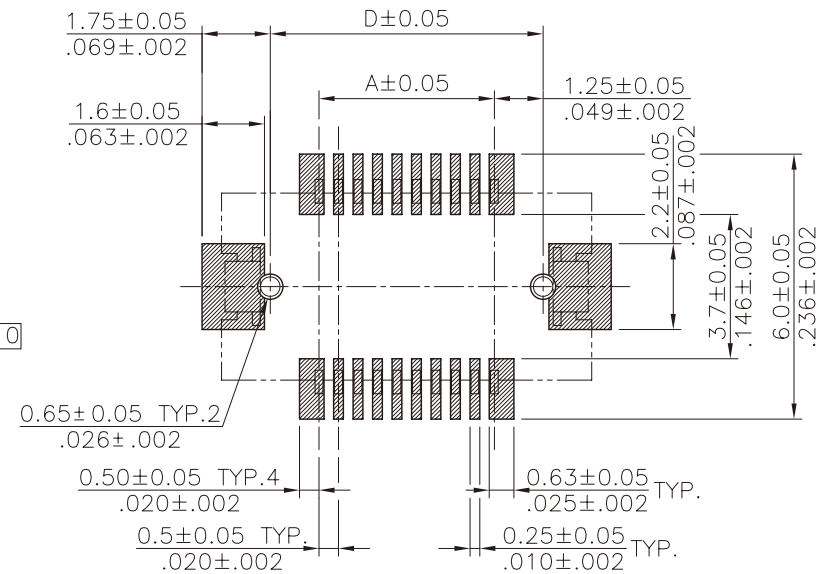


Material:

- * Insulation:
Glass filled Polyamide UL 94V-0
Color Black
- * Contact: Copper alloy, t=0.2mm
- * Fixed Tab: Brass, t=0.2mm



Recommended P.C. Board Layout

DIM.A = 0.50 * No. of Spaces
 DIM.B = DIM.A + 5.0
 DIM.C = DIM.A + 2.0
 DIM.D = DIM.A + 2.5
 * Available in 10 through 80 circuits

RoHS Compliant

TOLERANCES ARE

MORETHANALL
 PCB CONNECTORS
 Cable ASSEMBLIES

DRAWING BY CY
 CHECKED BY GENIUS
 UNIT / mm SCALE 1:1
 DATE
 SIZE A4

X. ±
 .X ±
 .XX ±
 .XXX ±
 ANG ±

照片框

ORDER INFORMATION

NP0527-P40PR-xxx-LF

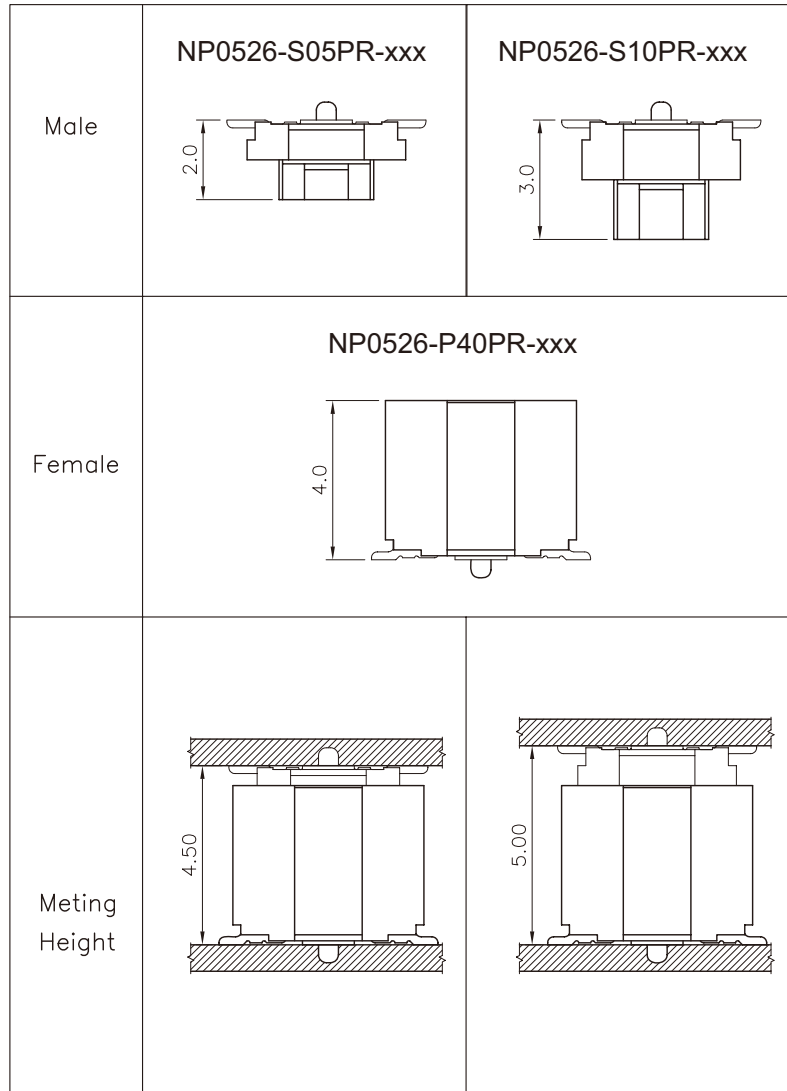
SERIES | LEADFREE
 | REEL
 | POST
 | UNMATED HIGH 4.0mm
 MALE

煜倫股份有限公司

www.morethanall.com

PJECTION

DESCRIPTION:



MORETHANALL
PCB CONNECTORS
Cable ASSEMBLIES

煜倫股份有限公司

www.morethanall.com

RoHS Compliant

DRAWING BY CY
CHECKED BY GENIUS
UNIT / mm SCALE 1 : 1
DATE

SIZE A4

TOLERANCES ARE

X. ±
.X ±
.XX ±
.XXX ±
ANG ±

P PROJECTION

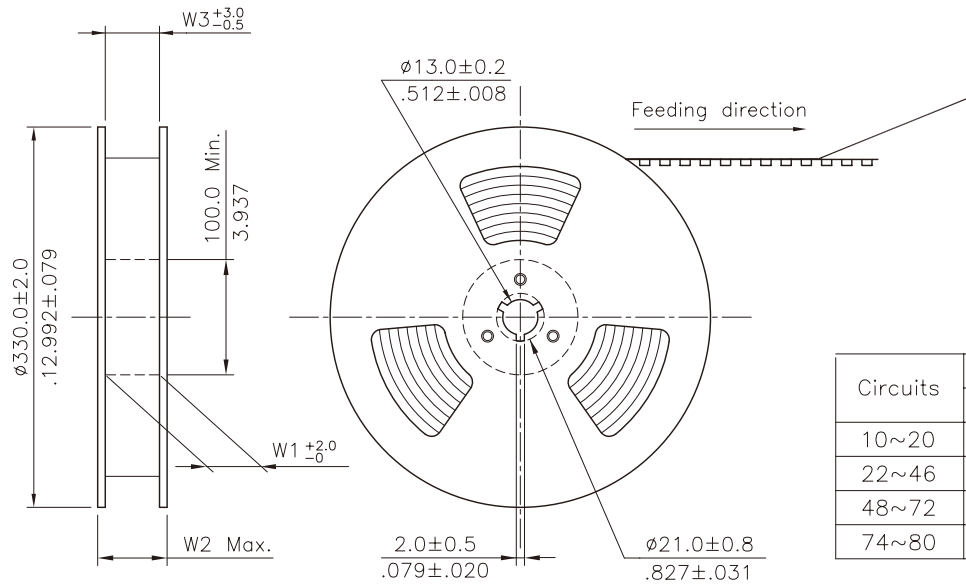
照片框

ORDER INFORMATION

NP0527-P40PR-xxx-LF

SERIES | | | LEADFREE
| | | 010-080WAY
| | | REEL
| | | POST
| | | UNMATED HIGH 4.0mm
| | | MALE

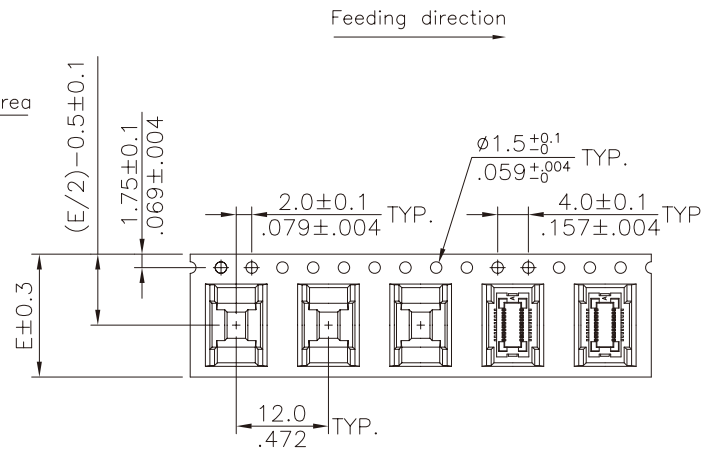
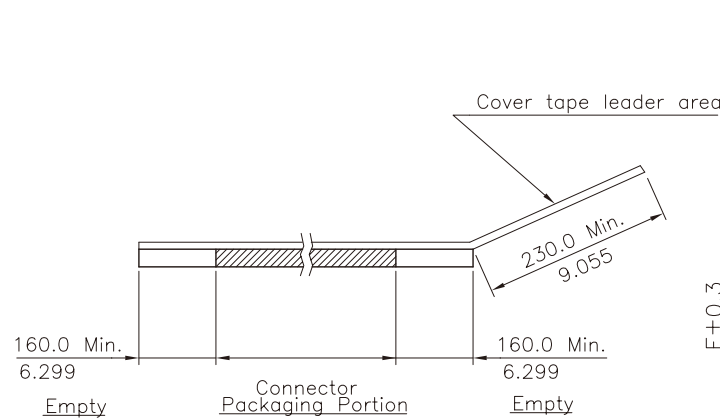
DESCRIPTION:



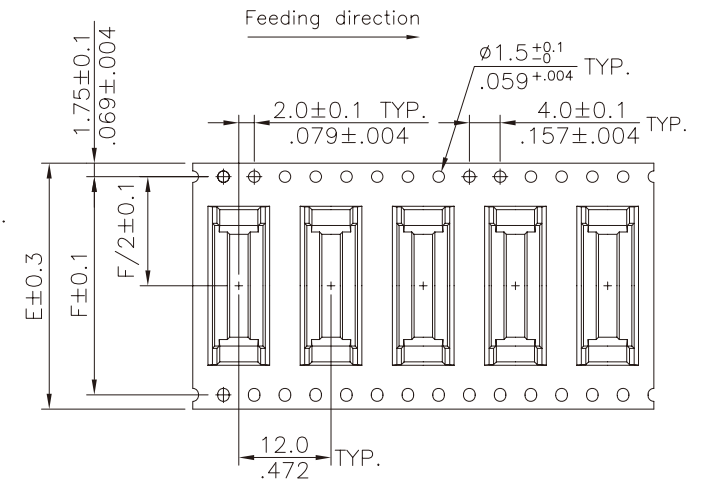
NOTE :

- * Reel Material : HIPS
- * Carrier Material : Clear, Conductive Polystyrene Alloy
- * Cover Tape Material : Polyester
- * Cover Tape Peel Strength : 0.1N – 1.3N
- * Carrier camber is within 1mm in 100mm
- * All dimensions meet EIA-481-2 & EIA-481-3 requirements.
- * Quantity : 1000 PCS/Reel

Circuits	Dimension					Packing (Reel/Caton)
	E	F	W1	W2	W3	
10~20	16.0(.630)	-	16.5(.650)	22.5(.886)	16.5(.650)	11
22~46	24.0(.945)	-	24.5(.965)	30.5(1.200)	24.5(.965)	9
48~72	32.0(1.260)	28.40(1.118)	32.5(1.280)	38.5(1.516)	32.5(1.280)	7
74~80	44.0(1.732)	40.40(1.591)	44.5(1.752)	50.5(1.988)	44.5(1.752)	5



WIDTH : 16,24 mm Carrier



WIDTH : 32 mm Carrier

RoHS Compliant

TOLERANCES ARE

MORETHANALL
PCB CONNECTORS
Cable ASSEMBLIES

DRAWING BY CY

X, ±

CHECKED BY GENIUS

.X, ±

UNIT / mm

SCALE 1 : 1

.XXX, ±

DATE

ANG, ±

煜倫股份有限公司

www.morethanall.com

SIZE A4

PJECTION

照片框

ORDER INFORMATION

NP0527-P40PR-xxx-LF

SERIES

LEADFREE

010-080WAY

REEL

POST

UNMATED HIGH 4.0mm

MALE

DESCRIPTION: