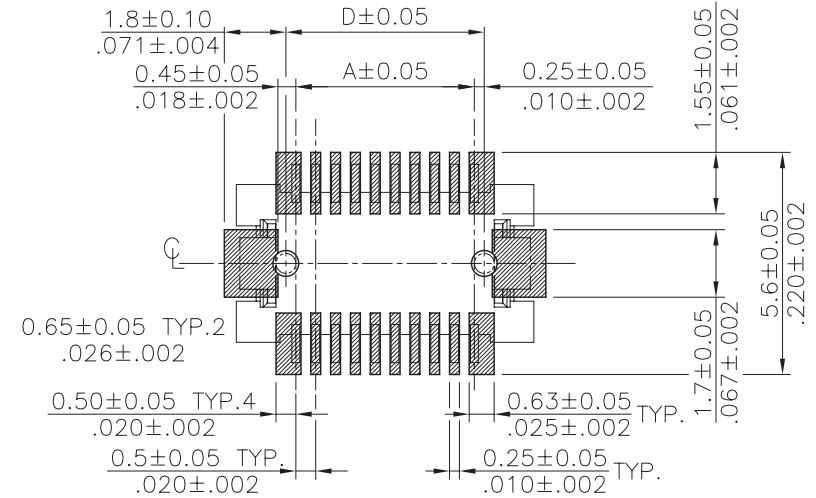


- Material:
- * Insulation: Glass filled Polyamide UL 94V-0 Color Black
 - * Contact: Copper alloy, t=0.2mm
 - * Fixed Tab: Brass, t=0.2mm



Recommended P.C. Board Layout

DIM.A = 0.50 * No. of Spaces
 DIM.B = DIM.A + 3.0
 DIM.C = DIM.A + 2.0
 DIM.D = DIM.A + 0.5

* Available in 10 through 80 circuits

NP0526-S05PR-xxx-LF
 LEADFREE
 RoHS Compliant



PART NO. NP0526-S05PR-xxx

DWG NO. NP0526-S05PR-xxx

FILE NO.

CHECKED BY CY

DRAWING BY

TOLERANCES ARE

.X ± 0.2
 .XX ±
 .XXX ±
 AWG

DESCRIPTION:

煜倫股份有限公司

UNIT / mm

SCALE 1:1

PROJECTION



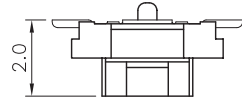
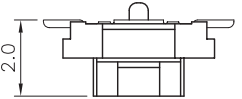
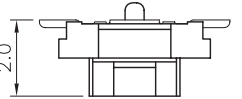
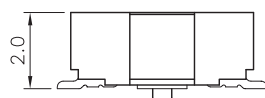

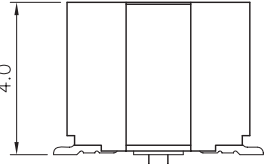
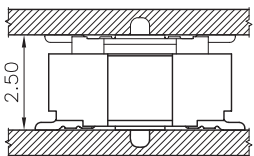
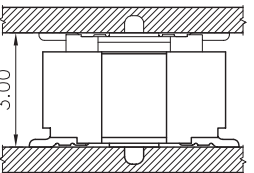
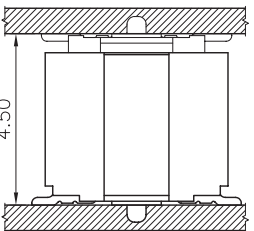
AREA

REVISIONS

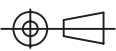
HK

DATE

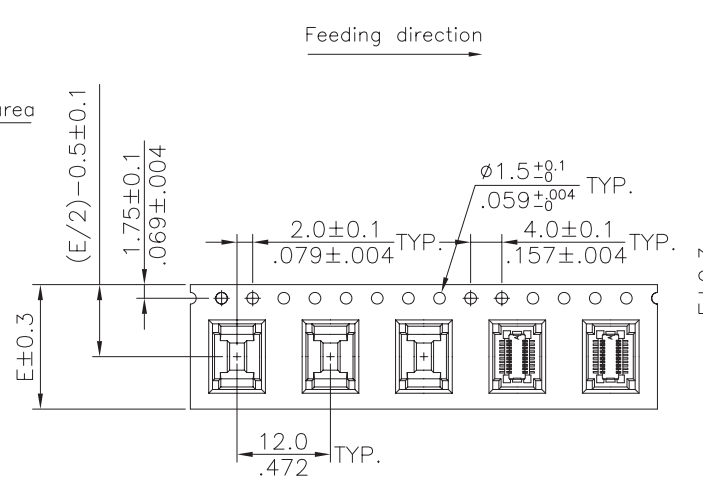
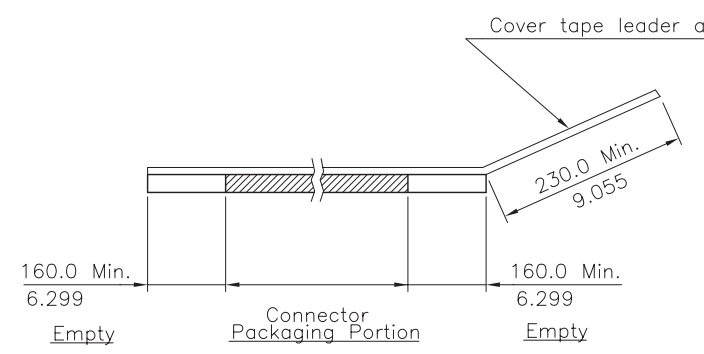
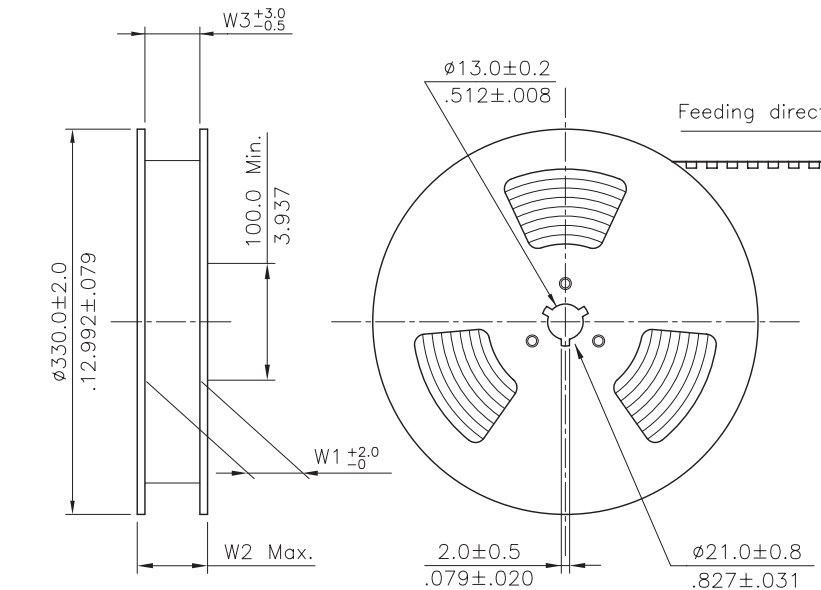
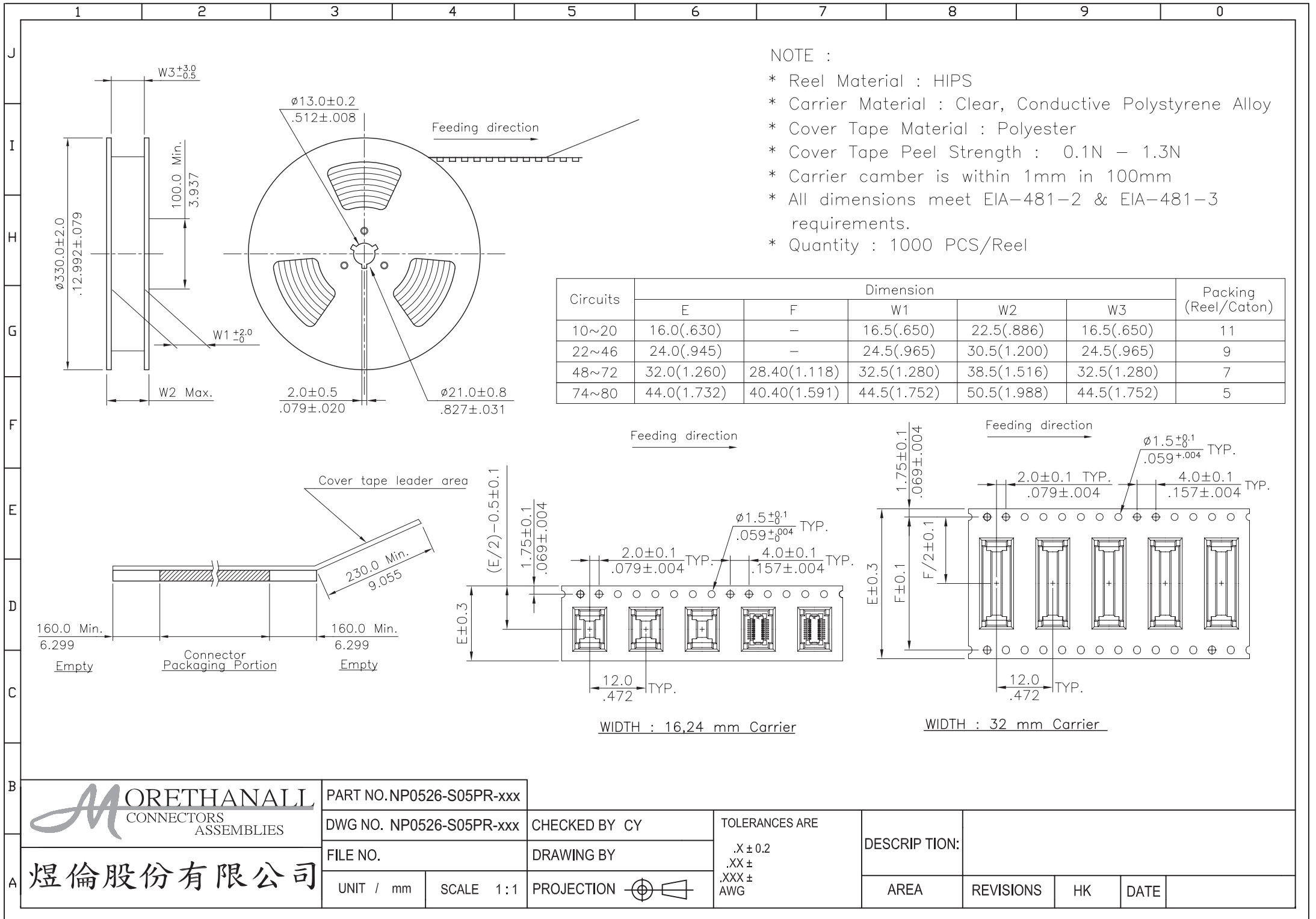
	1	2	3	4	5	6	7	8	9	0
J										
I										
H										
G										
F										
E										
D										
C										
B										
A										

Male	NP0526-S05PR-xxx 	NP0526-S05PR-xxx 	NP0526-S05PR-xxx 
Female	NP0526-P20PR-xxx 	NP0526-P25PR-xxx 	NP0526-P40PR-xxx 
Mating Height			

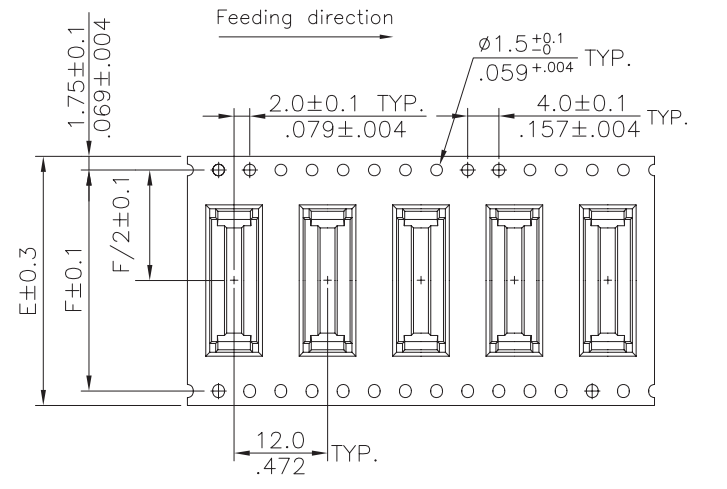


PART NO. NP0526-S05PR-xxx		CHECKED BY CY		TOLERANCES ARE .X ± 0.2 .XX ± .XXX ± AWG	DESCRIP TION:			
DWG NO. NP0526-S05PR-xxx		DRAWING BY						
FILE NO.		PROJECTION 		AREA	REVISIONS	HK	DATE	

煜倫股份有限公司



WIDTH : 16,24 mm Carrier



WIDTH : 32 mm Carrier

	PART NO. NP0526-S05PR-xxx		CHECKED BY CY	TOLERANCES ARE .X ± 0.2 .XX ± .XXX ± AWG	DESCRIPTION:			
	DWG NO. NP0526-S05PR-xxx							
焜倫股份有限公司	FILE NO.		PROJECTION	AREA	REVISIONS	HK	DATE	
	UNIT / mm	SCALE 1:1						